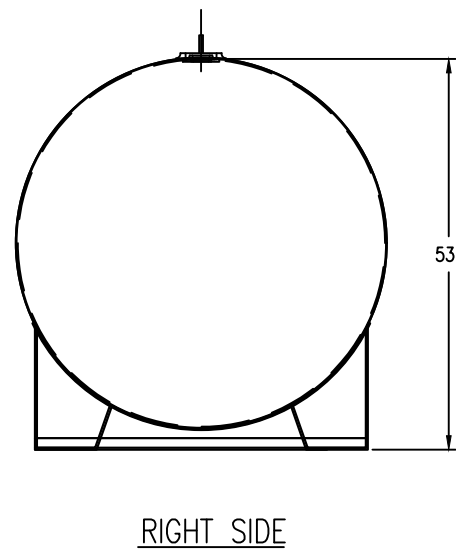
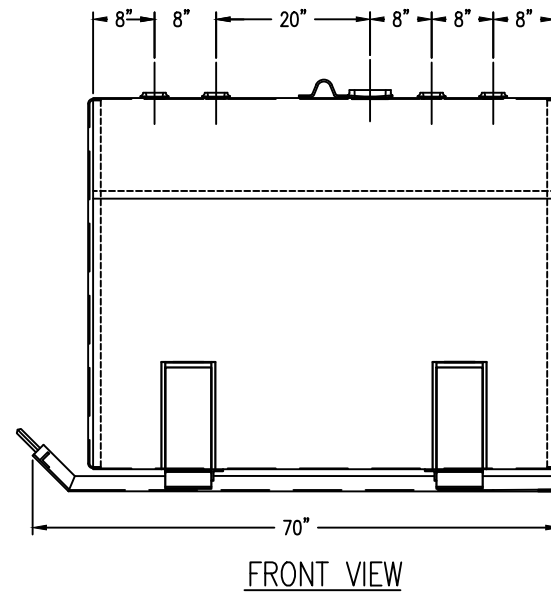
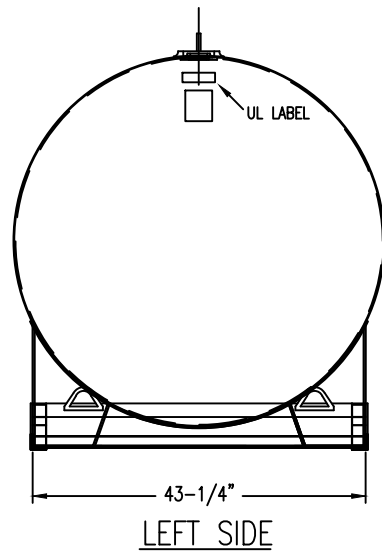
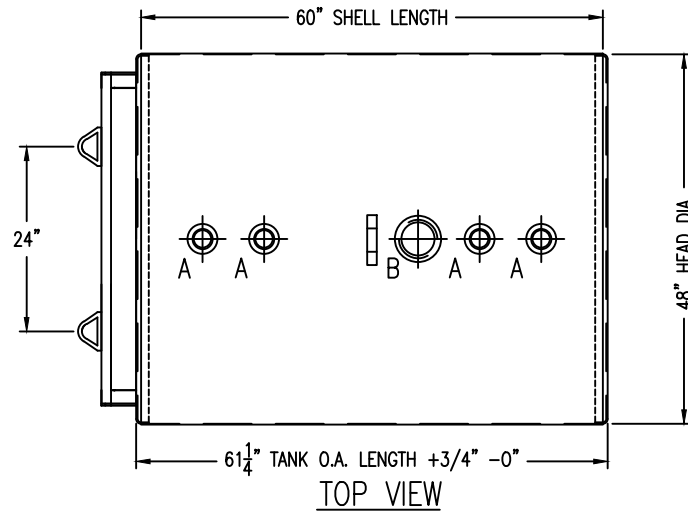


70" L x 48" W x 53"H O.A. DIM.

DRAWING REVISIONS			
REV.	DESCRIPTION	DATE	APRVL



DRAWING APPROVAL:

SIGN: \_\_\_\_\_

DATE: \_\_\_\_\_

UNLESS NOTED, TOLERANCES ARE +/- 1-3"

FLANGE OPENING LEGEND	
A	2" NPT FLANGE
B	4" INNER E-VENT
C	-
D	-
E	-
F	-



ALL RIGHTS RESERVED. THIS DRAWING OR ANY PART THEREOF MUST NOT BE REPRODUCED IN ANY FORM UNLESS GIVEN PERMISSION BY A REPRESENTATIVE OF THIS COMPANY

806 Island Ford Road  
McGaheysville, VA 22840

Phone 800-522-4980  
540-289-5051  
FAX 540-289-7592



**ATLANTIC**  
**CONTAINMENT**



DESCRIPTION: 500 GALLON ROUND HORIZONTAL ON SKIDS

CUST: ATLANTIC CONTAINMENT

MATL: CARBON STEEL, 12 GA

WELD: MIG (EXTERNAL ONLY)

TYPE: UL142 LISTED

CAPACITY: 500 GALLON

WEIGHT: 580LBS

EXT. FINISH: PRIMER

DATE: 08/26/20 DWG BY: NM

08/26/20 NM

DWG NO. AC500SK REV. NO. -

AC500SK -

PRELIMINARY DRAWING ONLY