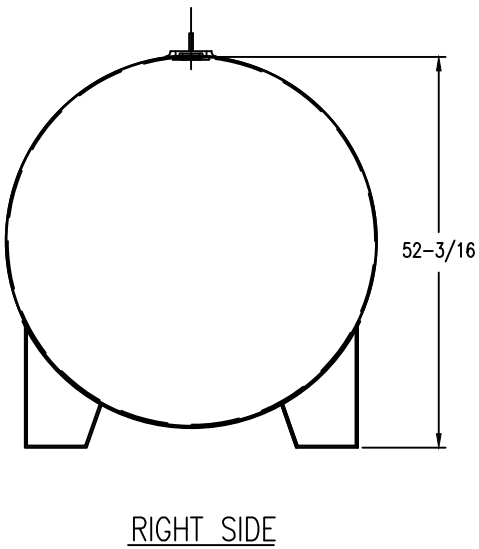
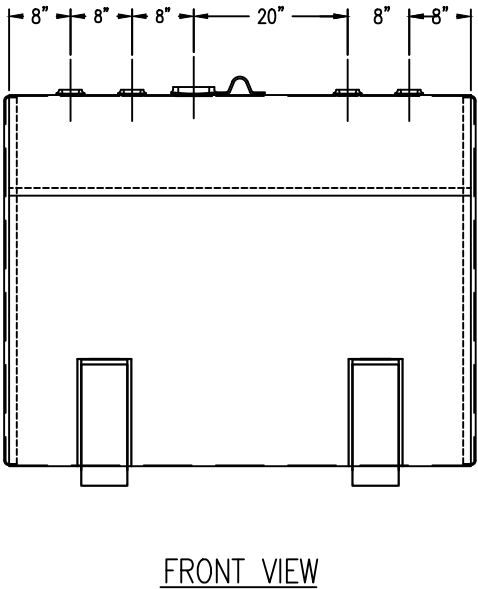
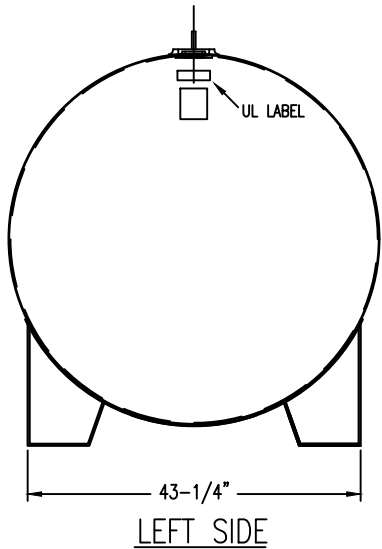
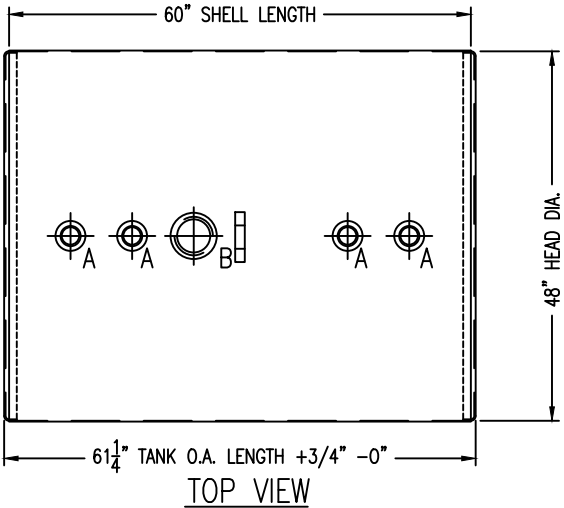


61-3/4" L x 48" W x 52-13/16" H O.A. DIM.

DRAWING REVISIONS			
REV.	DESCRIPTION	DATE	APRVL



DRAWING APPROVAL:
 SIGN: _____
 DATE: _____
 UNLESS NOTED, TOLERANCES ARE +/- 1-3"

FLANGE OPENING LEGEND	
A	2" NPT FLANGE
B	4" INNER E-VENT
C	-
D	-
E	-
F	-



PRELIMINARY DRAWING ONLY

ALL RIGHTS RESERVED. THIS DRAWING OR ANY PART THEREOF MUST NOT BE REPRODUCED IN ANY FORM UNLESS GIVEN PERMISSION BY A REPRESENTATIVE OF THIS COMPANY

806 Island Ford Road
 McGaheysville, VA 22840

Phone 800-522-4980
 540-289-5051
 FAX 540-289-7592

ATLANTIC CONTAINMENT

UL LISTED

DESCRIPTION: 500 GALLON ROUND HORIZ SW ON SUPPORTS

CUST: ATLANTIC CONTAINMENT	DATE: 08/26/20	DWG BY: NM
MATL: CARBON STEEL, 12 GA		
WELD: MIG (EXTERNAL ONLY)		
TYPE: UL142 LISTED	DWG NO. AC500HS	REV. NO. -
CAPACITY: 500 GALLON		
WEIGHT: 565LBS		
EXT. FINISH: PRIMER		