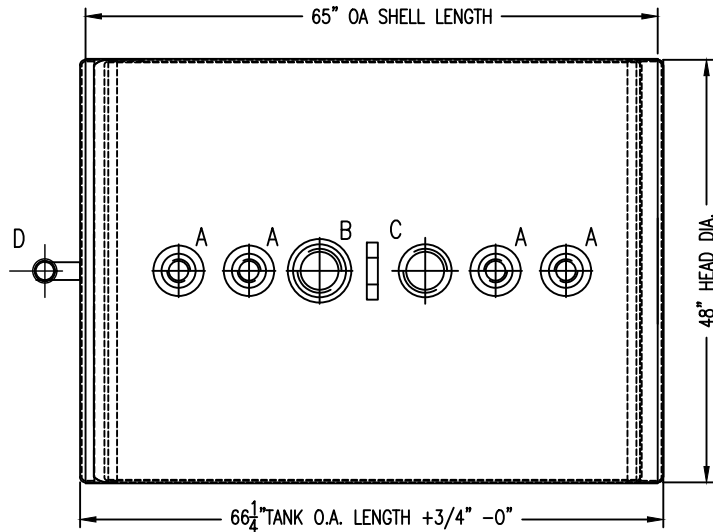
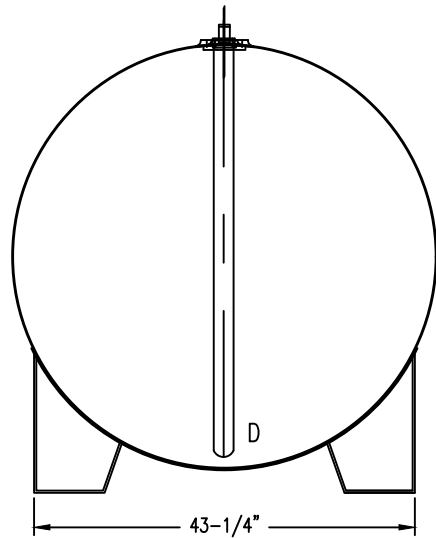


71-1/4" L x 48" W x 53" H O.A. DIM.

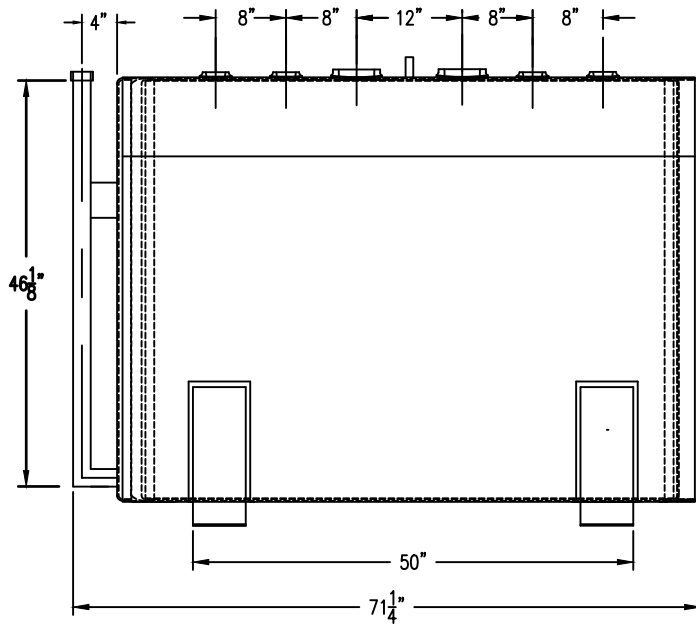
DRAWING REVISIONS			
REV.	DESCRIPTION	DATE	APRVL



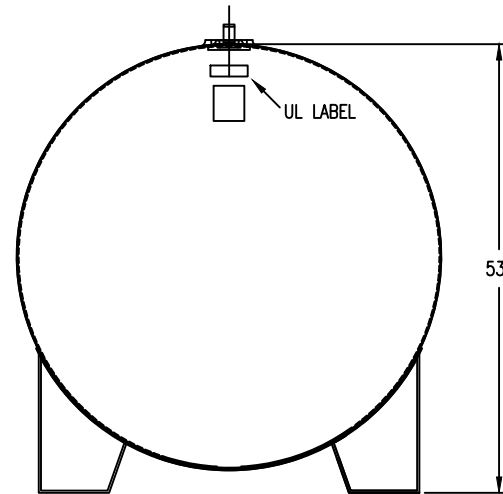
TOP VIEW



LEFT SIDE



FRONT VIEW



RIGHT SIDE

DRAWING APPROVAL:

SIGN: _____

DATE: _____

UNLESS NOTED, TOLERANCES ARE +/- 1-3"

FLANGE OPENING LEGEND

A	2" NPT FLANGE
B	4" INNER E-VENT
C	4" OUTER E-VENT
D	2" MONITORING PIPE
E	-
F	-
G	-



ALL RIGHTS RESERVED. THIS DRAWING OR ANY PART THEREOF MUST NOT BE REPRODUCED IN ANY FORM UNLESS GIVEN PERMISSION BY A REPRESENTATIVE OF THIS COMPANY

806 Island Ford Road
McGaheysville, VA 22840

Phone 800-522-4980
540-289-5051
FAX 540-289-7592



ATLANTIC
CONTAINMENT



DESCRIPTION: 500 GALLON ROUND DW HORIZONTAL ON SUPPORTS

CUST: ATLANTIC CONTAINMENT

MATL: CARBON STEEL, 12 GA

WELD: MIG (EXTERNAL ONLY)

TYPE: UL142 LISTED

CAPACITY: 500 GALLONS

WEIGHT: 875LBS

EXT. FINISH: PRIMER

DATE: DWG BY:

02/10/21 NM

DWG NO. REV. NO.

AC500DHS -

PRELIMINARY DRAWING ONLY