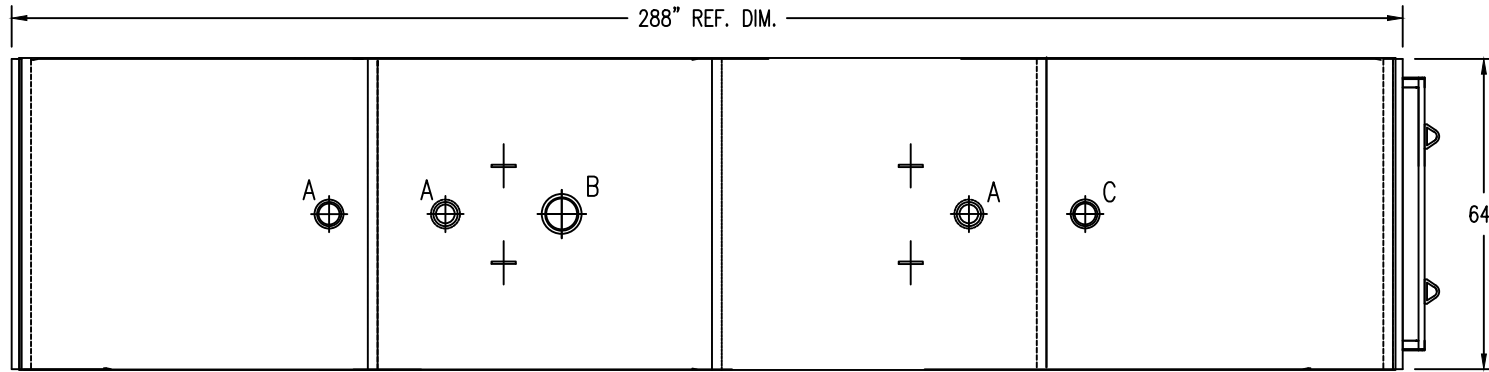


DRAWING REVISIONS			
REV.	DESCRIPTION	DATE	APRVL

DETERMINED BY SIZE OF STEEL
AS SUPPLIED BY MILL.

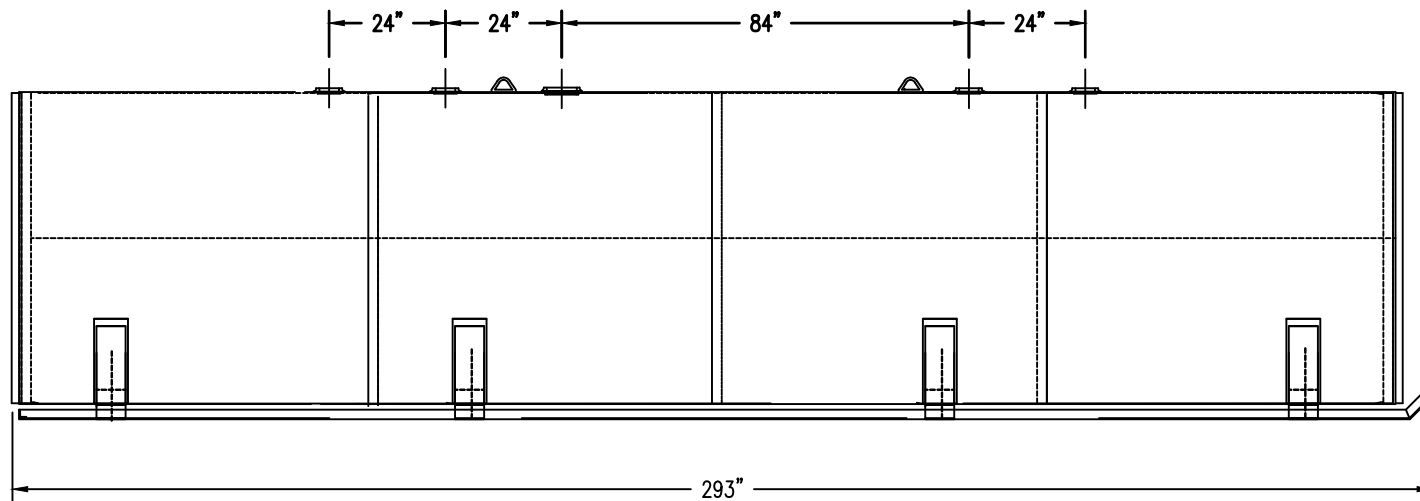


TOP VIEW

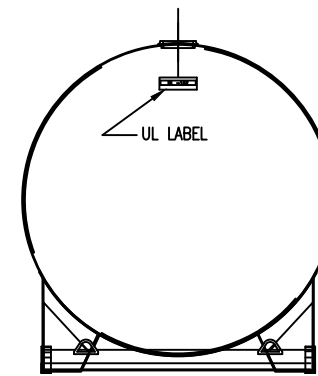
DRAWING APPROVAL:

SIGN: _____

DATE: _____



FRONT VIEW



RIGHT SIDE

FLANGE OPENING LEGEND	
A	2" NPT FLANGE
B	6" EMERGENCY VENT
C	4" NPT FLANGE
D	
E	-
F	-



ALL RIGHTS RESERVED, THIS DRAWING OR ANY PART THEREOF MUST NOT BE REPRODUCED IN ANY FORM UNLESS GIVEN PERMISSION BY A REPRESENTATIVE OF THIS COMPANY

806 Island Ford Road
McGaheysville, VA 22840
Phone 800-522-4980
540-289-5051
FAX 540-289-7592



ATLANTIC
CONTAINMENT



DESCRIPTION: 4000 GALLON SW SUPPORTED SKID TANK

CUST: ATLANTIC CONTAINMENT
MATL: CARBON STEEL, 7 GA
WELD: MIG (EXTERNAL ONLY)
TYPE: UL142 LISTED
CAPACITY: 4,000 GALLONS
WEIGHT: 4400lbs
EXT. FINISH: PRIMER

DATE: 10/16/20	DWG BY: NM
DWG NO. AC4KSK	REV. NO. -

PRELIMINARY DRAWING ONLY