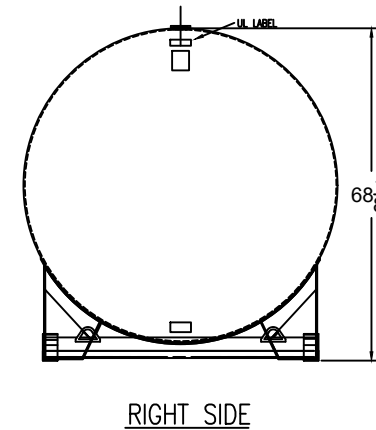
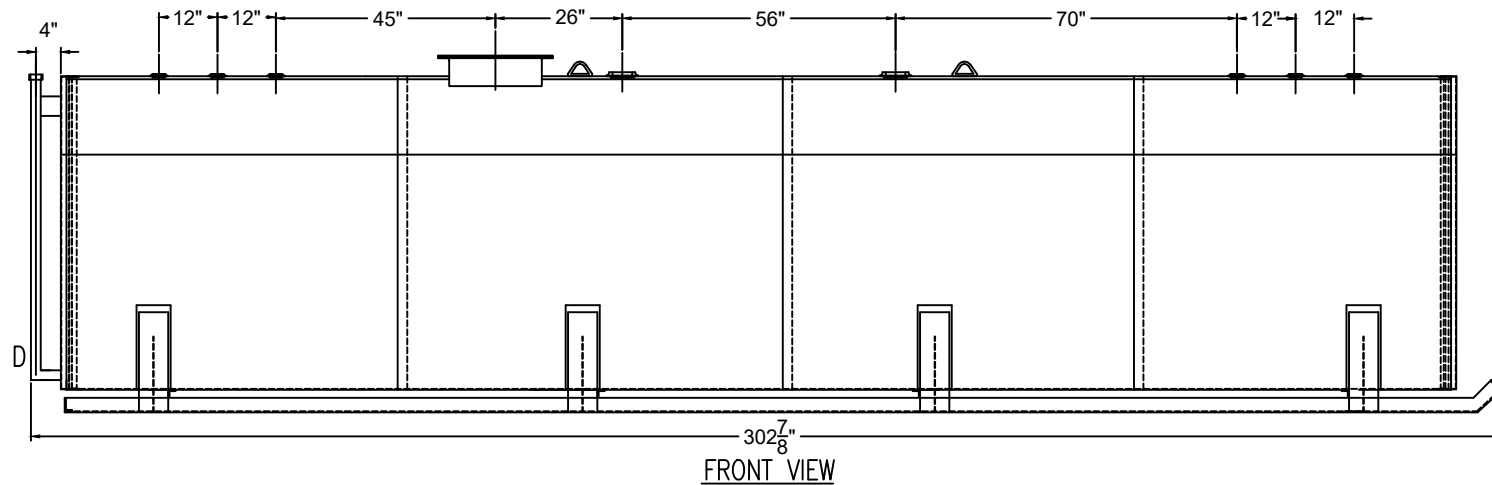
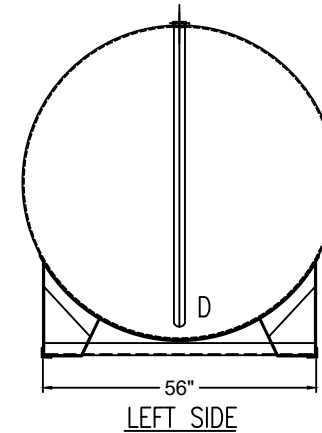
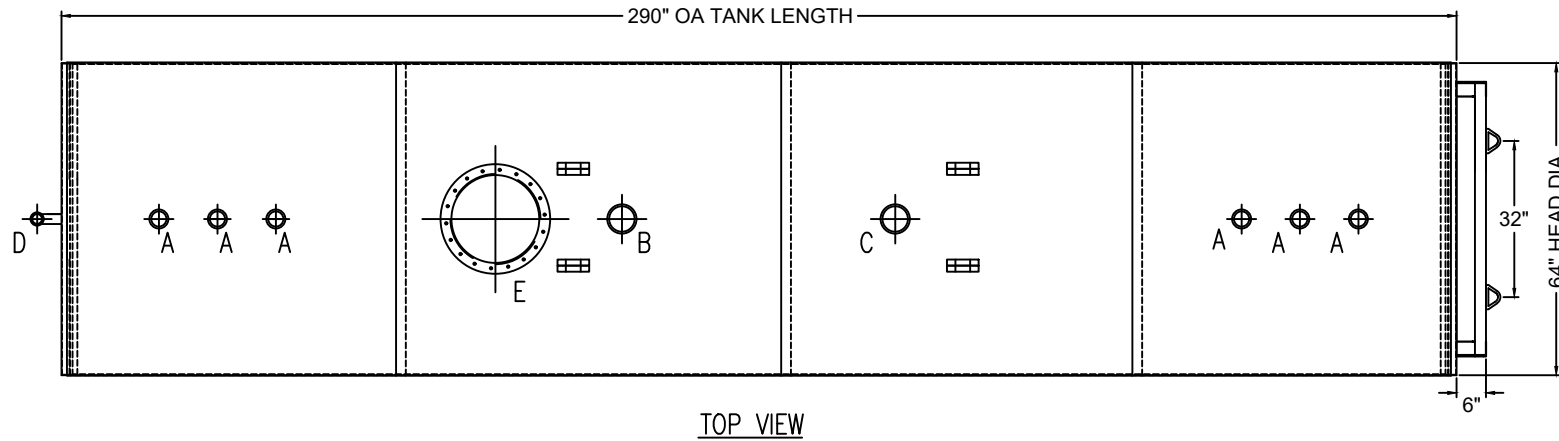


302-7/8" L x 64" W x 68-1/8"H O.A. DIM.

DRAWING REVISIONS			
REV.	DESCRIPTION	DATE	APRVL
A	ADDED 4" OPENING	5/18/21	NM



FLANGE OPENING LEGEND	
A	4" NPT FLANGE
B	6" INNER E- VENT
C	6" OUTER E- VENT
D	2" MONITORING PIPE
E	18" MANWAY
F	-

ALL RIGHTS RESERVED. THIS DRAWING OR ANY PART THEREOF MUST NOT BE REPRODUCED IN ANY FORM UNLESS GIVEN PERMISSION BY A REPRESENTATIVE OF THIS COMPANY

806 Island Ford Road
McGaheysville, VA 22840

Phone 800-522-4980
540-289-5051
FAX 540-289-7592



DESCRIPTION: 4,000 GALLON ROUND DW HORIZ ON SKIDS 64" DIA

CUST: ATLANTIC CONTAINMENT	DATE: 11/11/21	DWG BY: NM
MATL: CARBON STEEL, 7 GA		
WELD: MIG (EXTERNAL ONLY)		
TYPE: UL 142 LISTED	DWG NO. AC4KKD	REV. NO. A
CAPACITY: 4000 GALLONS		
WEIGHT: 6425 LBS		
EXT. FINISH: PRIMER		

PRELIMINARY DRAWING ONLY