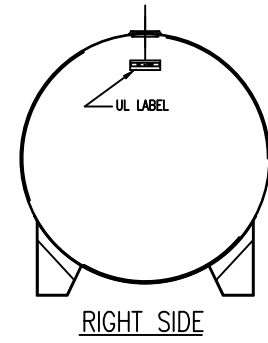
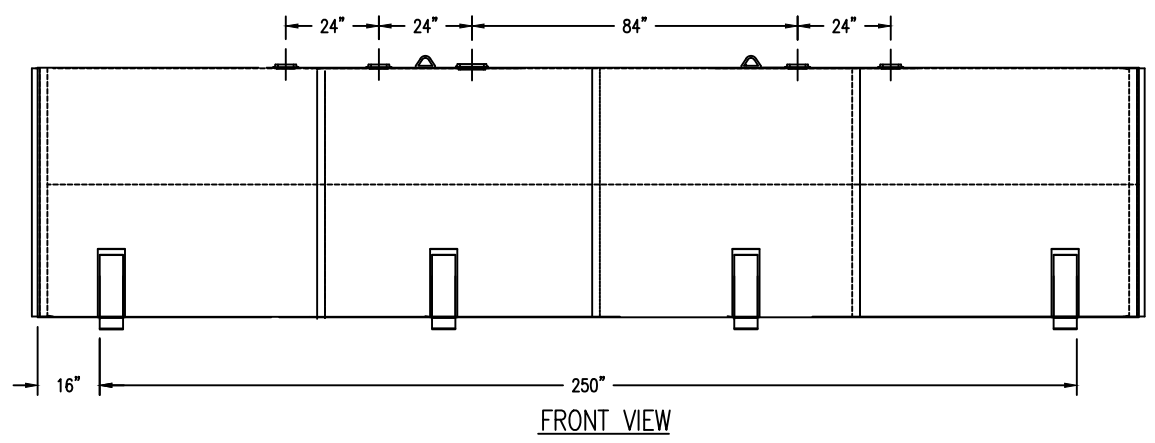
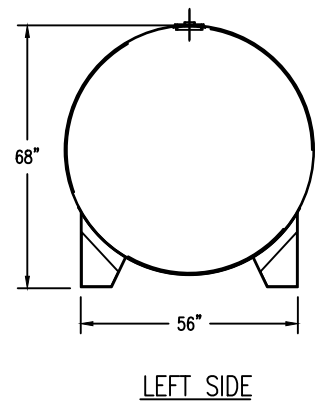
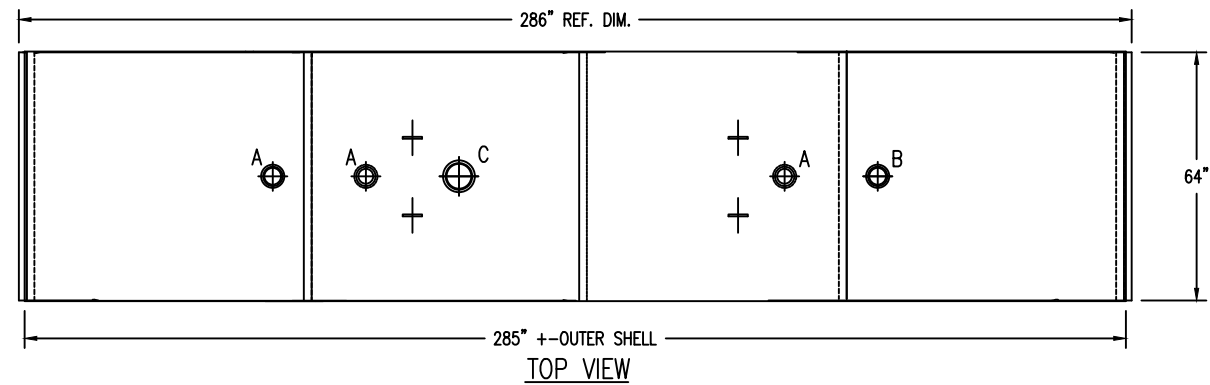


DRAWING REVISIONS			
REV.	DESCRIPTION	DATE	APRVL

DRAWING APPROVAL:
SIGN: _____
DATE: _____

DETERMINED BY SIZE OF STEEL
AS SUPPLIED BY MILL.



FLANGE OPENING LEGEND	
A	2" NPT FLANGE
B	4" NPT FLANGE
C	6" INNER E-VENT
D	
E	-
F	-

ALL RIGHTS RESERVED, THIS DRAWING OR ANY PART THEREOF MUST NOT BE REPRODUCED IN ANY FORM UNLESS GIVEN PERMISSION BY A REPRESENTATIVE OF THIS COMPANY

806 Island Ford Road
McGaheysville, VA 22840
Phone 800-522-4980
540-289-5051
FAX 540-289-7592



DESCRIPTION: 4000 GALLON SW HORIZ. ON SUPPORTS

CUST: ATLANTIC CONTAINMENT	DATE: 11/20/20	DWG BY: NM
MATL: CARBON STEEL, 7 GA		
WELD: MIG (EXTERNAL ONLY)		
TYPE: UL142 LISTED		
CAPACITY: 4,000 GALLONS	DWG NO. AC4KHS	REV. NO. -
WEIGHT: 3695lbs		
EXT. FINISH: PRIMER		

PRELIMINARY DRAWING ONLY