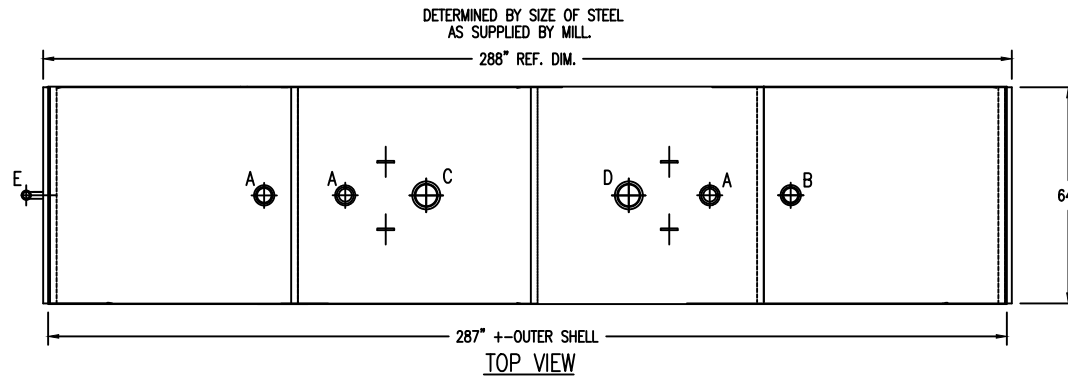


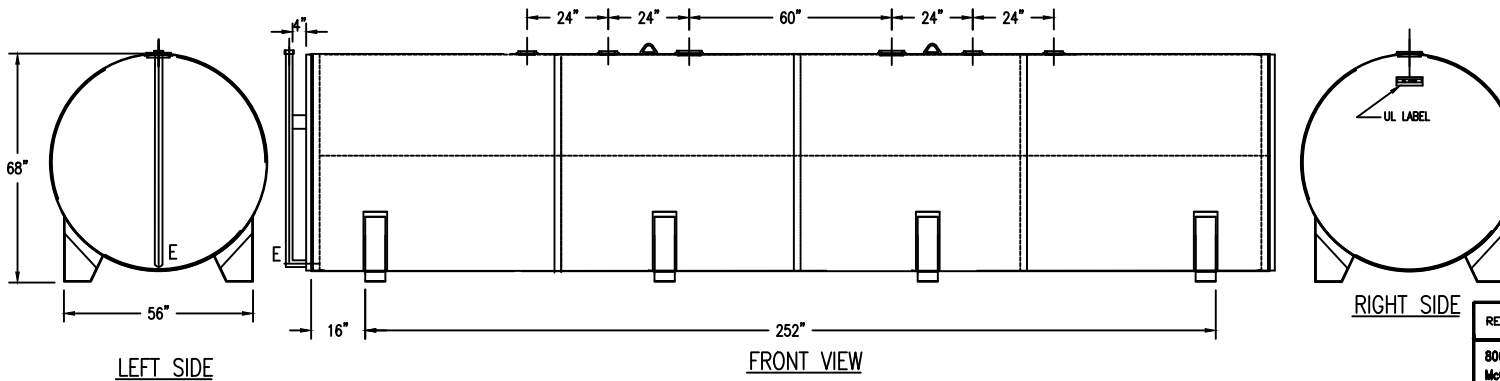
DRAWING REVISIONS			
REV.	DESCRIPTION	DATE	APRVL



DRAWING APPROVAL:

SIGN: \_\_\_\_\_

DATE: \_\_\_\_\_



FLANGE OPENING LEGEND	
A	2" NPT FLANGE
B	4" NPT FLANGE
C	6" INNER E-VENT
D	6" OUTER E-VENT
E	2" MONITORING PIPE
F	-

ALL RIGHTS RESERVED. THIS DRAWING OR ANY PART THEREOF MUST NOT BE REPRODUCED IN ANY FORM UNLESS GIVEN PERMISSION BY A REPRESENTATIVE OF THIS COMPANY.

806 Island Ford Road  
McGaheysville, VA 22840

Phone 800-522-4980  
540-289-5051  
FAX 540-289-7592

**ATLANTIC**  
**CONTAINMENT**

DESCRIPTION: 4000 GALLON DW HORIZ. ON SUPPORTS

CUST: ATLANTIC CONTAINMENT	DATE: 02/03/21	DWG BY: NM
MATL: CARBON STEEL, 7 GA		
WELD: MIG (EXTERNAL ONLY)		
TYPE: UL142 LISTED		
CAPACITY: 4,000 GALLONS	DWG NO. AC4KDHS	REV. NO. -
WEIGHT: 6785lbs		
EXT. FINISH: PRIMER		

PRELIMINARY DRAWING ONLY