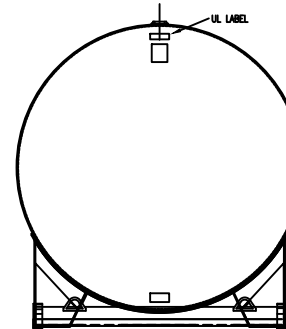
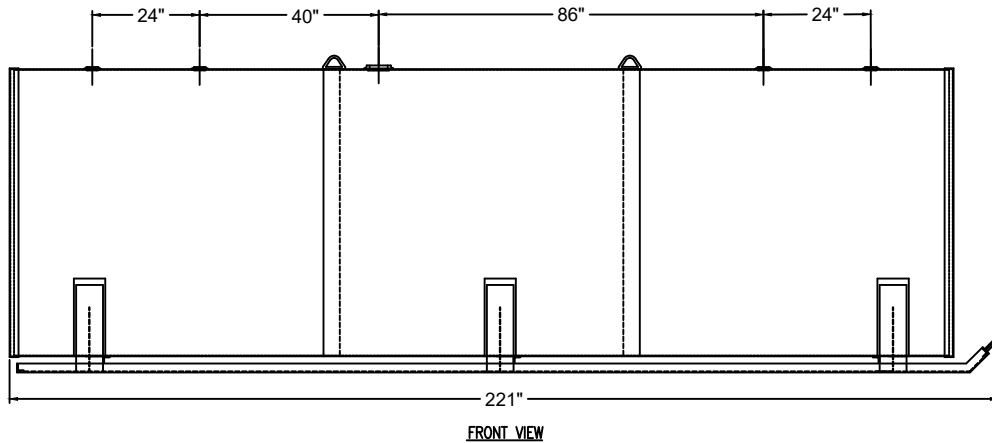
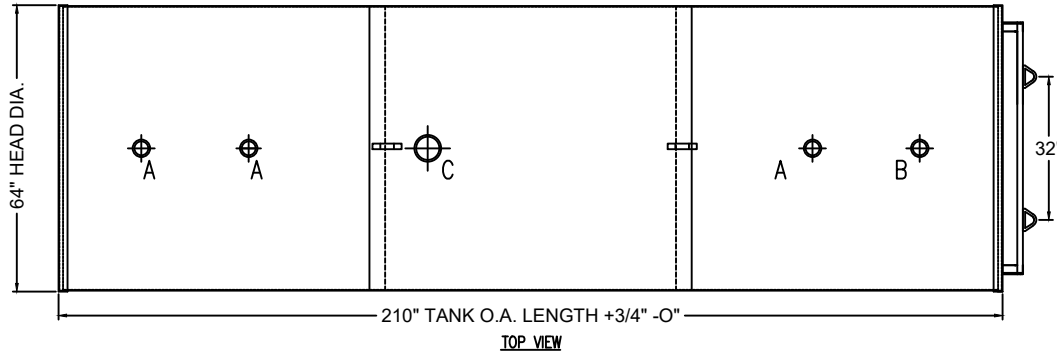


DRAWING REVISIONS			
REV.	DESCRIPTION	DATE	APRVL
A	ADDED 4" OPENING	5/18/21	NM

DRAWING APPROVAL:

SIGN: \_\_\_\_\_

DATE: \_\_\_\_\_



FLANGE OPENING LEGEND

A	2" NPT FLANGE
B	4" NPT FLANGE
C	6" INNER E- VENT
D	
E	-
F	-

ALL RIGHTS RESERVED. THIS DRAWING OR ANY PART THEREOF MUST NOT BE REPRODUCED IN ANY FORM UNLESS GIVEN PERMISSION BY A REPRESENTATIVE OF THIS COMPANY

806 Island Ford Road  
McGaheysville, VA 22840

Phone 800-522-4980  
540-289-5051  
FAX 540-289-7592



**ATLANTIC**  
**CONTAINMENT**



DESCRIPTION: 3,000 GALLON ROUND SW HORIZONTAL ON SKIDS

CUST: ATLANTIC CONTAINMENT

MATL: CARBON STEEL, 7 GA

WELD: MIG (EXTERNAL ONLY)

TYPE: UL 142 LISTED

CAPACITY: 3000 GALLONS

WEIGHT: 3450 LBS

EXT. FINISH: PRIMER

DATE: 05/18/21 DWG BY: NM

DWG NO. AC3KSK REV. NO. A

PRELIMINARY DRAWING ONLY