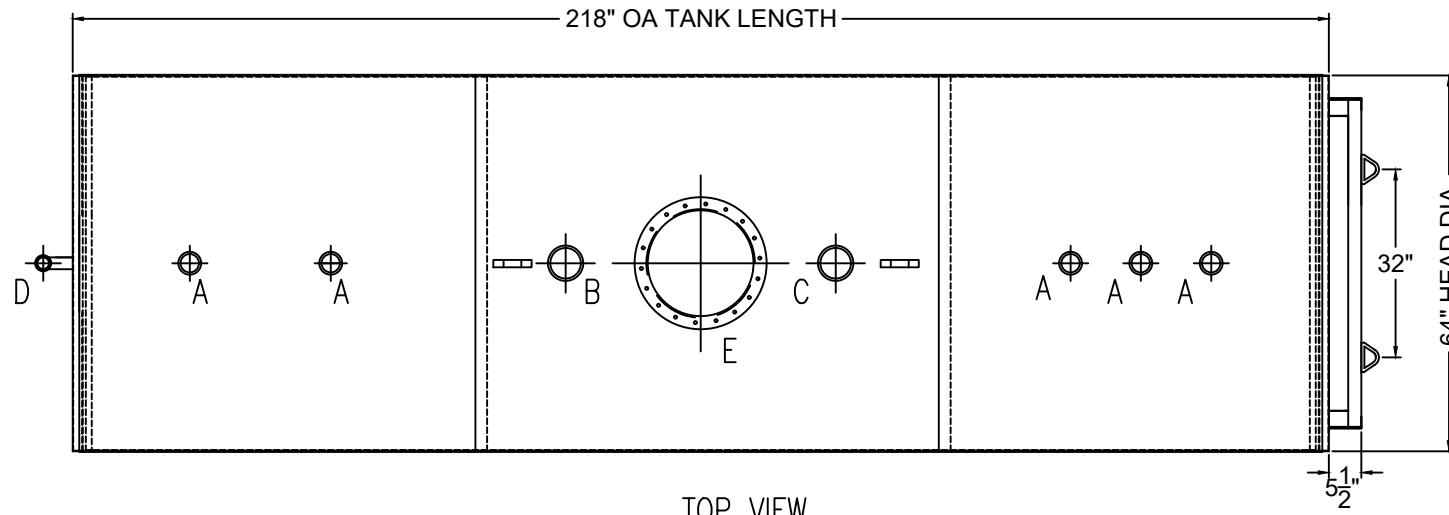
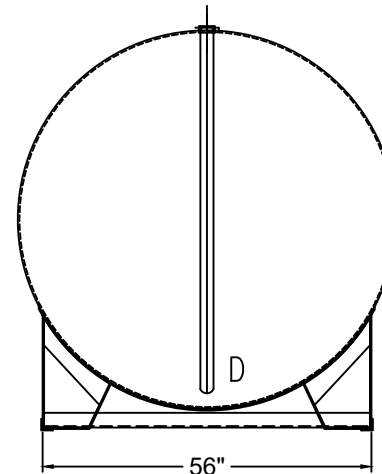


230-7/8" L x 64" W x 68-1/8"H O.A. DIM.

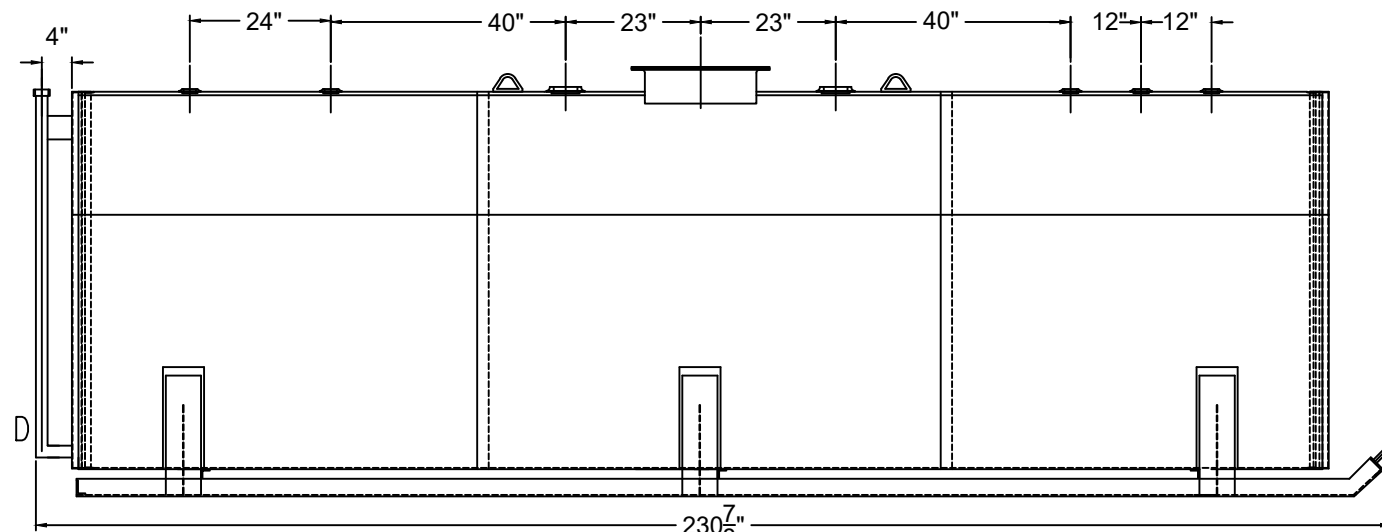
DRAWING REVISIONS			
REV.	DESCRIPTION	DATE	APRVL
A	ADDED 4" OPENING	5/18/21	NM



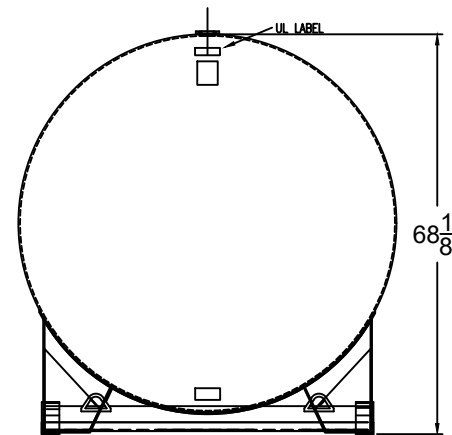
TOP VIEW



LEFT SIDE



FRONT VIEW



RIGHT SIDE

DRAWING APPROVAL:

SIGN: _____

DATE: _____

FLANGE OPENING LEGEND	
A	4" NPT FLANGE
B	6" INNER E- VENT
C	6" OUTER E- VENT
D	2" MONITORING PIPE
E	18" MANWAY
F	-

ALL RIGHTS RESERVED. THIS DRAWING OR ANY PART THEREOF MUST NOT BE REPRODUCED IN ANY FORM UNLESS GIVEN PERMISSION BY A REPRESENTATIVE OF THIS COMPANY

806 Island Ford Road
McGaheysville, VA 22840

Phone 800-522-4980
540-289-5051
FAX 540-289-7592



ATLANTIC
CONTAINMENT



DESCRIPTION: 3,000 GALLON ROUND DW HORIZ ON SKIDS 64" DIA

CUST: ATLANTIC CONTAINMENT
MATL: CARBON STEEL, 10 GA
WELD: MIG (EXTERNAL ONLY)
TYPE: UL 142 LISTED
CAPACITY: 3000 GALLONS
WEIGHT: 5160 LBS
EXT. FINISH: PRIMER

DATE: 11/11/21	DWG BY: NM
DWG NO. AC3KKD	REV. NO. A

PRELIMINARY DRAWING ONLY