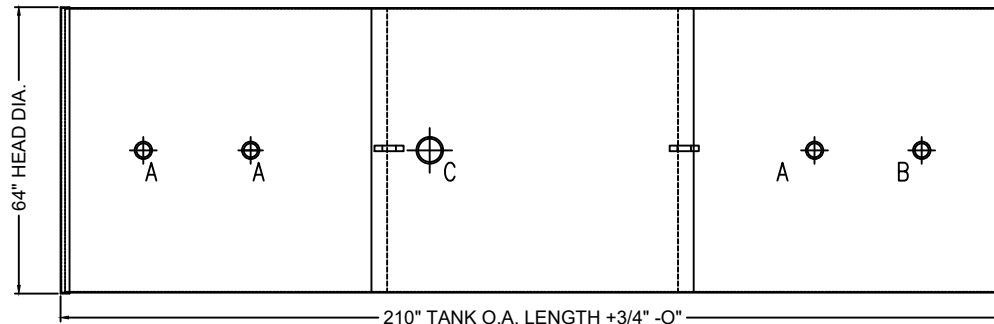


DRAWING REVISIONS			
REV.	DESCRIPTION	DATE	APRVL
A	UPDATED W/ 4" OPENING	05/18/21	NM

DRAWING APPROVAL:

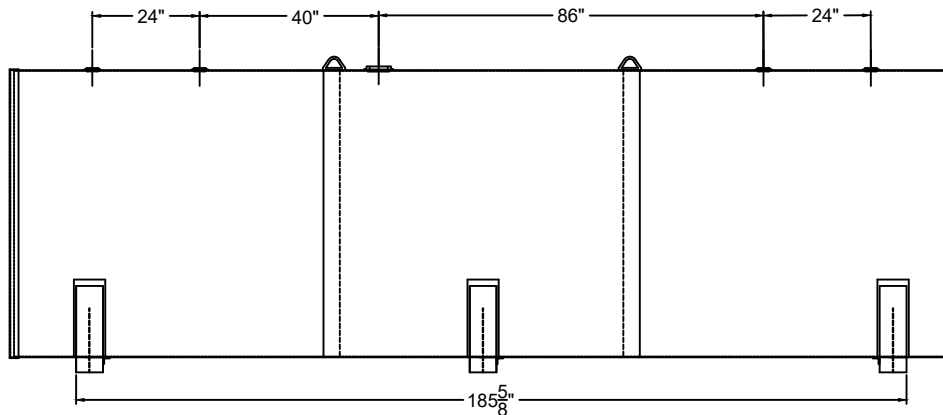
SIGN: _____

DATE: _____

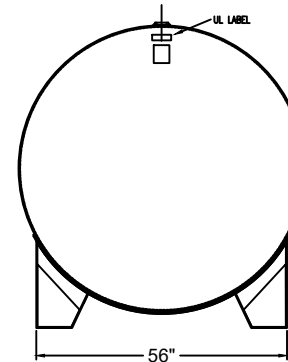


210" TANK O.A. LENGTH +3/4" -0"

TOP VIEW



FRONT VIEW



RIGHT SIDE

FLANGE OPENING LEGEND

A	2" NPT FLANGE
B	4" NPT FLANGE
C	6" INNER E- VENT
D	
E	-
F	-

ALL RIGHTS RESERVED. THIS DRAWING OR ANY PART THEREOF MUST NOT BE REPRODUCED IN ANY FORM UNLESS GIVEN PERMISSION BY A REPRESENTATIVE OF THIS COMPANY

806 Island Ford Road
McGaheysville, VA 22840

Phone 800-522-4980
540-289-5051
FAX 540-289-7592



ATLANTIC
CONTAINMENT



DESCRIPTION: 3,000 GALLON ROUND SW HORIZ SUPPORTED

CUST: ATLANTIC CONTAINMENT

MATL: CARBON STEEL, 7 GA

WELD: MIG (EXTERNAL ONLY)

TYPE: UL 142 LISTED

CAPACITY: 3000 GALLONS

WEIGHT: 3000 LBS

EXT. FINISH: PRIMER

DATE: 05/18/21 DWG BY: NM

DWG NO. AC3KHS REV. NO. A

PRELIMINARY DRAWING ONLY