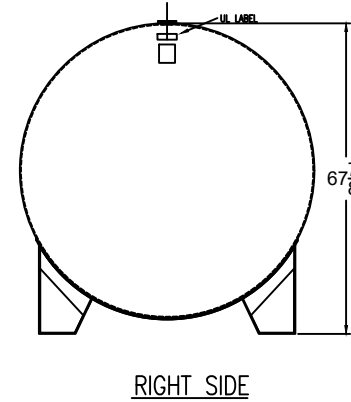
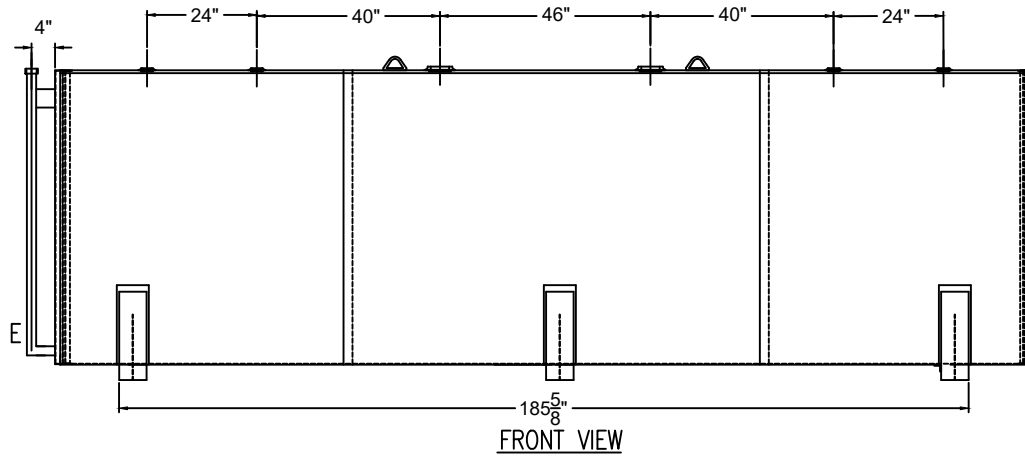
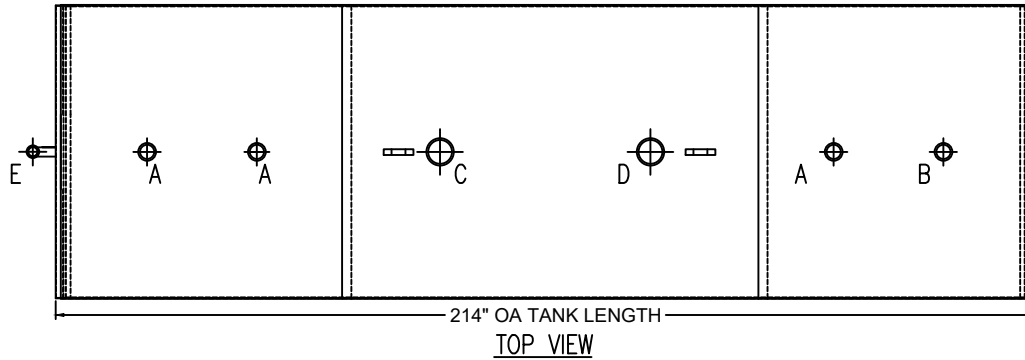


| DRAWING REVISIONS | | | |
|-------------------|------------------|---------|-------|
| REV. | DESCRIPTION | DATE | APRVL |
| A | ADDED 4" OPENING | 5/18/21 | NM |
| | | | |



| FLANGE OPENING LEGEND | |
|-----------------------|--------------------|
| A | 2" NPT FLANGE |
| B | 4" NPT FLANGE |
| C | 6" INNER E- VENT |
| D | 6" OUTER E- VENT |
| E | 2" MONITORING PIPE |
| F | - |

DRAWING APPROVAL:

SIGN: _____

DATE: _____

PRELIMINARY DRAWING ONLY

ALL RIGHTS RESERVED. THIS DRAWING OR ANY PART THEREOF MUST NOT BE REPRODUCED IN ANY FORM UNLESS GIVEN PERMISSION BY A REPRESENTATIVE OF THIS COMPANY

806 Island Ford Road
McGaheysville, VA 22840
Phone 800-522-4980
540-289-5051
FAX 540-289-7592



DESCRIPTION: 3,000 GALLON ROUND DW HORIZ ON SUPPORTS

| | | |
|----------------------------|---------------------------|---------------------|
| CUST: ATLANTIC CONTAINMENT | DATE: 05/18/21 | DWG BY: NM |
| MATL: CARBON STEEL, 10 GA | WELD: MIG (EXTERNAL ONLY) | TYPE: UL 142 LISTED |
| CAPACITY: 2000 GALLONS | WEIGHT: 3975 LBS | EXT. FINISH: PRIMER |
| AC3KDHS | | REV. NO. A |