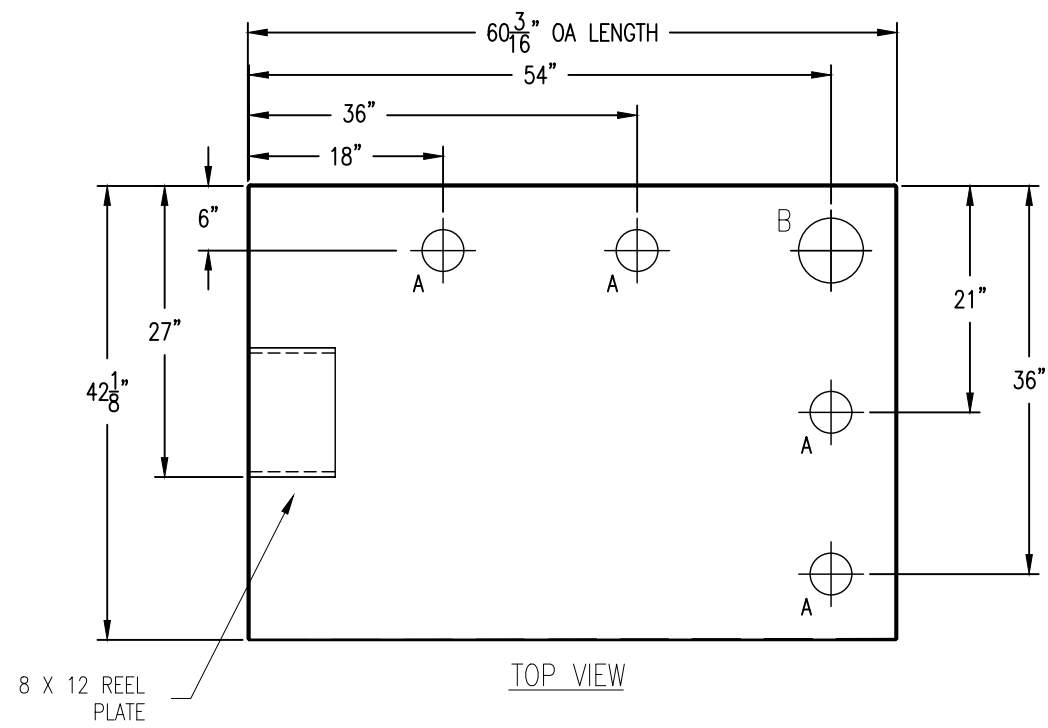


60-1/2"L X 42W" X 38" OA DIM.

DRAWING REVISIONS			
REV.	DESCRIPTION	DATE	APRVL

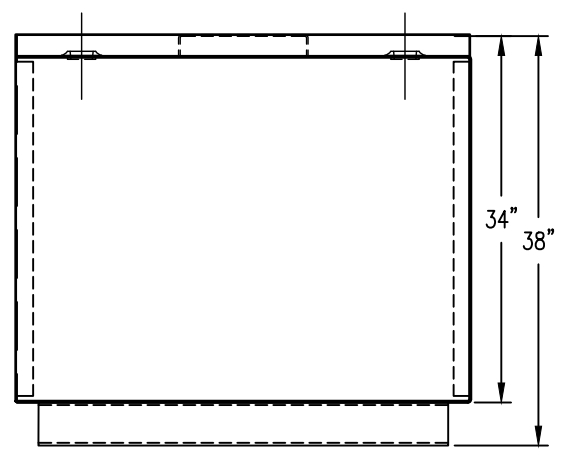


TOP VIEW

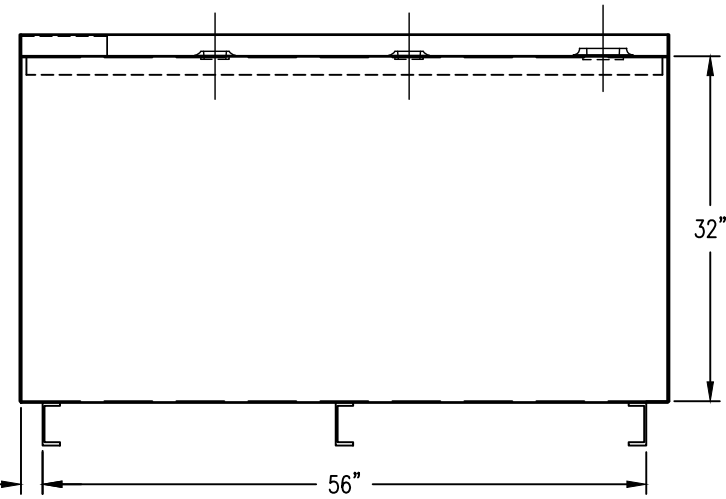
DRAWING APPROVAL:
 SIGN: _____
 DATE: _____

UNLESS NOTED, TOLERANCES ARE +/- 1-3"

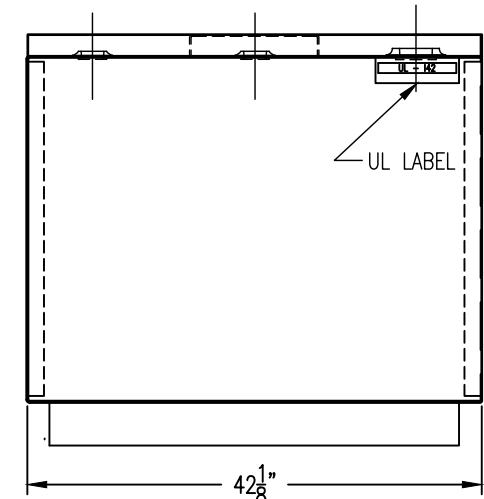
FLANGE OPENING LEGEND	
A	2" NPT FLANGE
B	3" INNER E-VENT
C	-
D	-
E	-
F	-



LEFT VIEW



FRONT VIEW



RIGHT VIEW



PRELIMINARY DRAWING ONLY

ALL RIGHTS RESERVED. THIS DRAWING OR ANY PART THEREOF MUST NOT BE REPRODUCED IN ANY FORM UNLESS GIVEN PERMISSION BY A REPRESENTATIVE OF THIS COMPANY

806 Island Ford Road
 McGaheysville, VA 22840

Phone 800-522-4980
 540-289-5051
 FAX 540-289-7592

ATLANTIC CONTAINMENT

UL LISTED

DESCRIPTION: 350 GALLON SW BENCH TANK

CUST: ATLANTIC CONTAINMENT	DATE: 07/08/19	DWG BY: NM
MATL: CARBON STEEL, 12 GA		
WELD: MIG (EXTERNAL ONLY)		
TYPE: UL 142 LISTED	DWG NO.	REV. NO.
CAPACITY: 350 GALLONS		
WEIGHT: 470 LBS		
EXT. FINISH: PRIMER		

AC350SW -