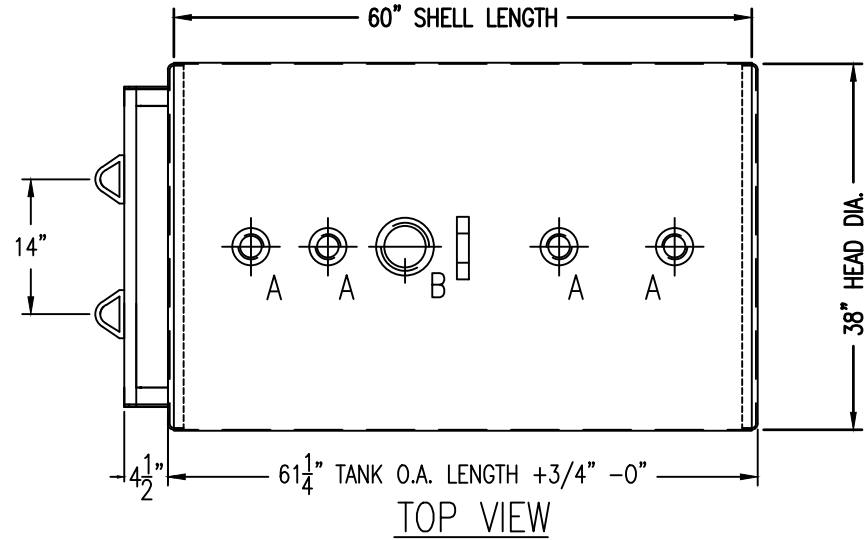


70" L x 38" W x 43"H O.A. DIM.

DRAWING REVISIONS			
REV.	DESCRIPTION	DATE	APRVL

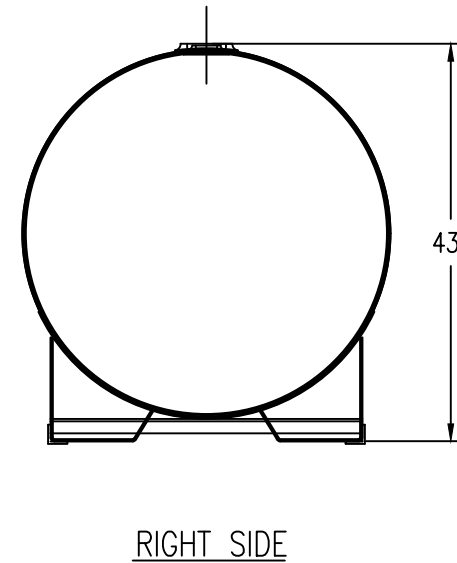
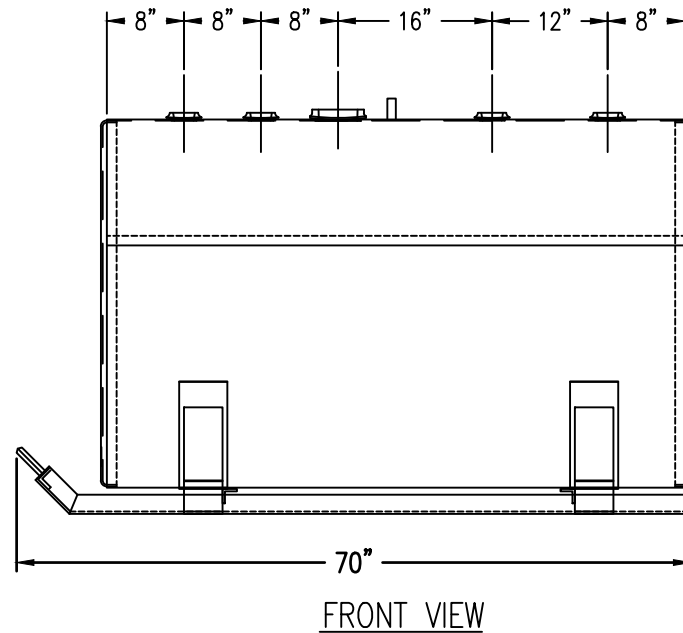
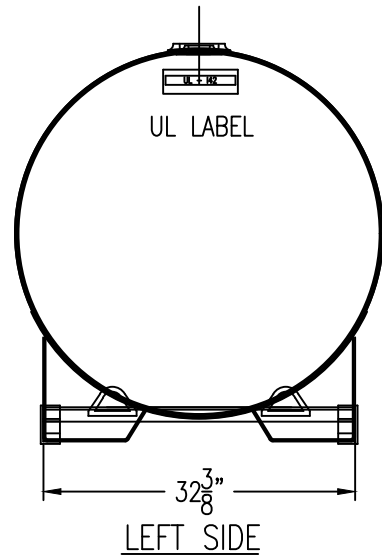


DRAWING APPROVAL:

SIGN: _____

DATE: _____

UNLESS NOTED, TOLERANCES ARE +/- 1-3"



FLANGE OPENING LEGEND	
A	2" NPT FLANGE
B	3" INNER E-VENT
C	-
D	-
E	-
F	-



ALL RIGHTS RESERVED. THIS DRAWING OR ANY PART THEREOF MUST NOT BE REPRODUCED IN ANY FORM UNLESS GIVEN PERMISSION BY A REPRESENTATIVE OF THIS COMPANY

806 Island Ford Road
McGaheysville, VA 22840

Phone 800-522-4980
540-289-5051
FAX 540-289-7592



ATLANTIC
CONTAINMENT



DESCRIPTION: 300 GALLON ROUND HORIZONTAL ON SKIDS

CUST: ATLANTIC CONTAINMENT

MATL: CARBON STEEL, 12 GA

WELD: MIG (EXTERNAL ONLY)

TYPE: UL142 LISTED

CAPACITY: 300 GALLON

WEIGHT: 425LBS

EXT. FINISH: PRIMER

DATE: 10/16/20

DWG BY: NM

DWG NO. AC300SK

REV. NO. -

PRELIMINARY DRAWING ONLY