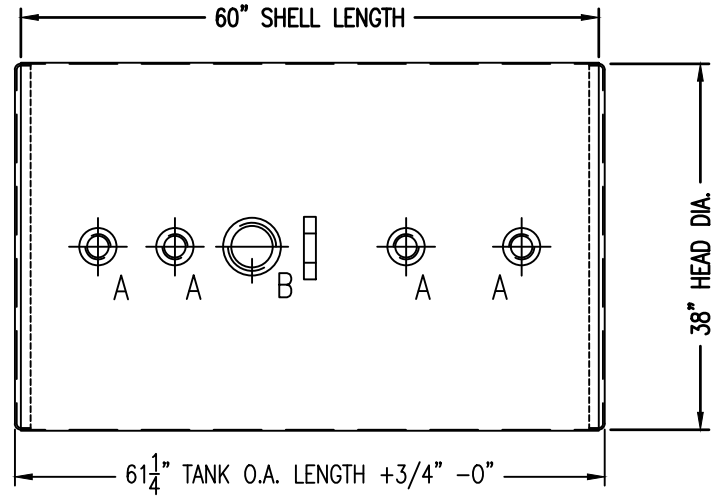
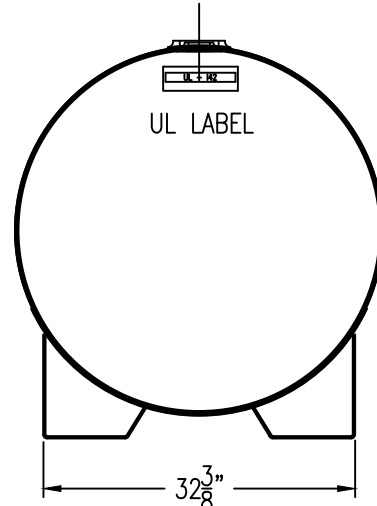


61-1/4" L x 38" W x 42-13/16" H O.A. DIM.

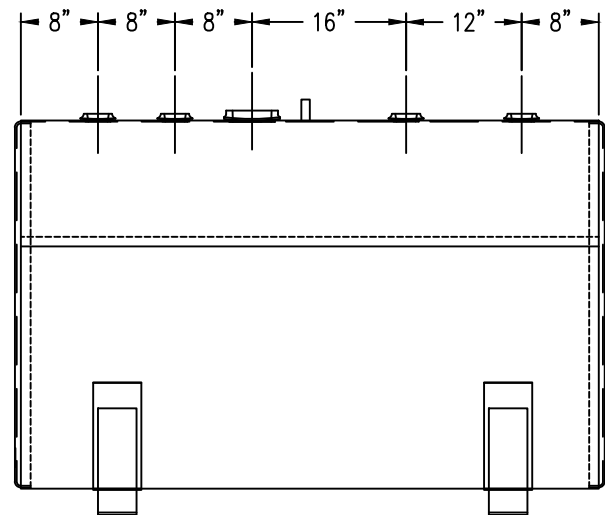
DRAWING REVISIONS			
REV.	DESCRIPTION	DATE	APRVL



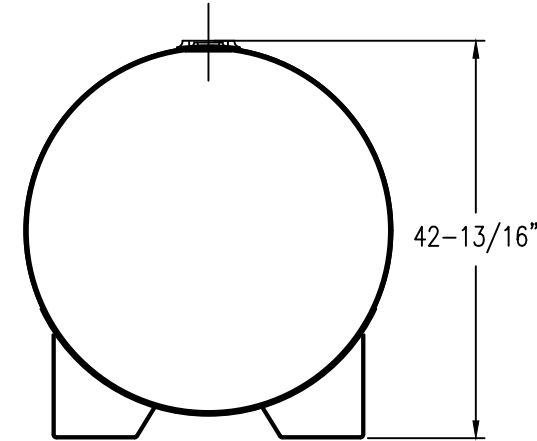
TOP VIEW



LEFT SIDE



FRONT VIEW



RIGHT SIDE

DRAWING APPROVAL:
 SIGN: _____
 DATE: _____
 UNLESS NOTED, TOLERANCES ARE +/- 1-3"

FLANGE OPENING LEGEND	
A	2" NPT FLANGE
B	3" INNER E-VENT
C	-
D	-
E	-
F	-



ALL RIGHTS RESERVED. THIS DRAWING OR ANY PART THEREOF MUST NOT BE REPRODUCED IN ANY FORM UNLESS GIVEN PERMISSION BY A REPRESENTATIVE OF THIS COMPANY

806 Island Ford Road
 McGaheysville, VA 22840
 Phone 800-522-4980
 540-289-5051
 FAX 540-289-7592



ATLANTIC
CONTAINMENT



DESCRIPTION: 300 GALLON ROUND HORIZ SW ON SUPPORTS

CUST: ATLANTIC CONTAINMENT
MATL: CARBON STEEL, 12 GA
WELD: MIG (EXTERNAL ONLY)
TYPE: UL142 LISTED
CAPACITY: 300 GALLON
WEIGHT: 415LBS
EXT. FINISH: PRIMER

DATE:	DWG BY:
10/16/20	NM
DWG NO.	REV. NO.
AC300HS	-

PRELIMINARY DRAWING ONLY