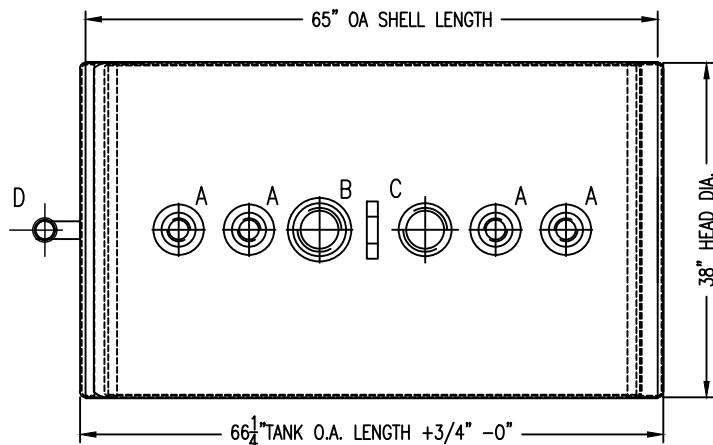
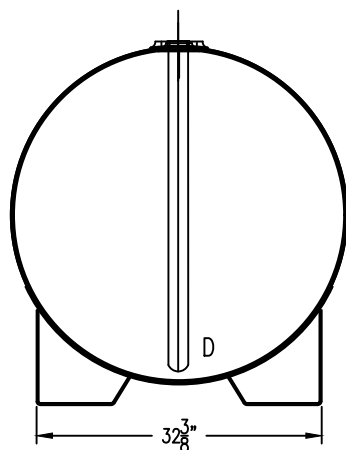


71-1/4" L x 38" W x 43"H O.A. DIM.

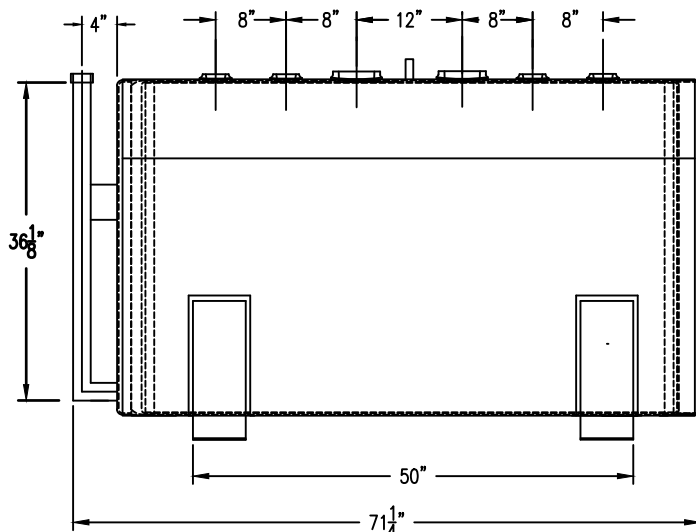
DRAWING REVISIONS			
REV.	DESCRIPTION	DATE	APRVL



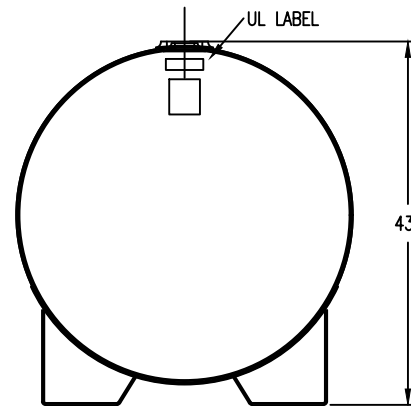
TOP VIEW



RIGHT SIDE



FRONT VIEW



RIGHT SIDE

DRAWING APPROVAL:

SIGN: _____

DATE: _____

UNLESS NOTED, TOLERANCES ARE +/- 1-3"

FLANGE OPENING LEGEND	
A	2" NPT FLANGE
B	3" INNER E-VENT
C	3" OUTER E-VENT
D	2" MONITORING PIPE
E	-
F	-
G	-



ALL RIGHTS RESERVED. THIS DRAWING OR ANY PART THEREOF MUST NOT BE REPRODUCED IN ANY FORM UNLESS GIVEN PERMISSION BY A REPRESENTATIVE OF THIS COMPANY

806 Island Ford Road
McGaheysville, VA 22840

Phone 800-522-4980
540-289-5051
FAX 540-289-7592



ATLANTIC
CONTAINMENT



DESCRIPTION: 300 GALLON ROUND DW HORIZONTAL ON SUPPORTS

CUST: ATLANTIC CONTAINMENT
MATL: CARBON STEEL, 12 GA
WELD: MIG (EXTERNAL ONLY)
TYPE: UL142 LISTED
CAPACITY: 300 GALLONS
WEIGHT: 785LBS
EXT. FINISH: PRIMER

DATE: 02/18/21
DWG BY: NM
DWG NO. AC300DHS
REV. NO. -

PRELIMINARY DRAWING ONLY