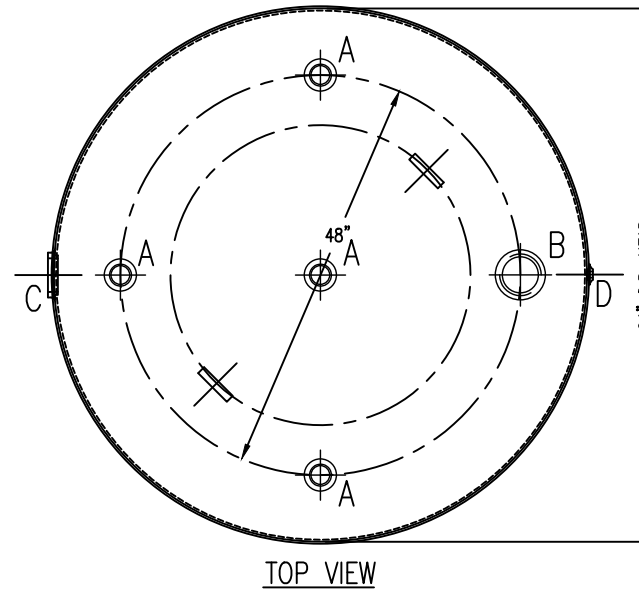
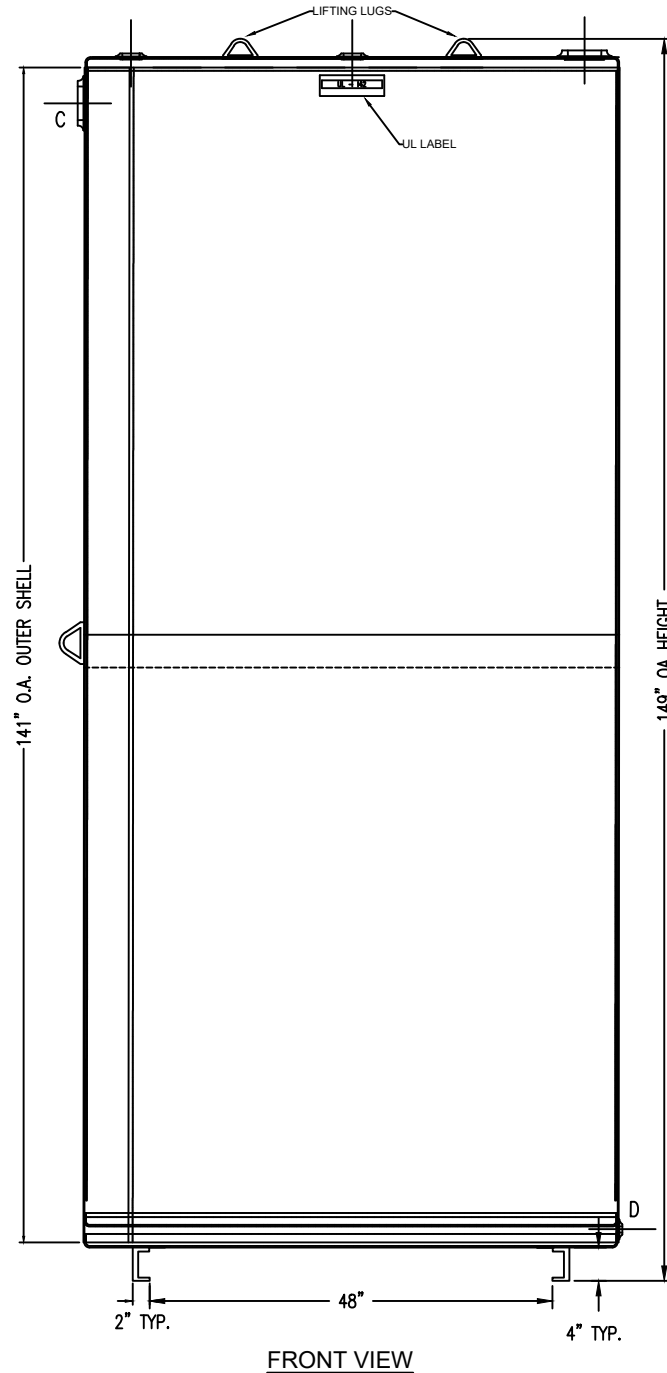


66" L x 66" W x 149"H O.A. DIM.

DRAWING REVISIONS			
REV.	DESCRIPTION	DATE	APRVL
A	UPDATED SUPPORTS AND + 2" OPENING	12/21/20	NM



DRAWING APPROVAL:

SIGN: _____

DATE: _____

UNLESS NOTED, TOLERANCES ARE +/- 1-3"

FLANGE OPENING LEGEND	
A	2" NPT FLANGE
B	6" INNER E- VENT
C	6" OUTER E-VENT
D	1/2" MONITORING GLASS
E	-
F	-

ALL RIGHTS RESERVED. THIS DRAWING OR ANY PART THEREOF MUST NOT BE REPRODUCED IN ANY FORM UNLESS GIVEN PERMISSION BY A REPRESENTATIVE OF THIS COMPANY

806 Island Ford Road
McGaheysville, VA 22840

Phone 800-522-4980
540-289-5051
FAX 540-289-7592



ATLANTIC
CONTAINMENT



DESCRIPTION: 2000 GALLON ROUND DW VERTICAL

CUST: ATLANTIC CONTAINMENT	DATE: 07/15/21	DWG BY: NM
MATL: CARBON STEEL, 7/10 GA		
WELD: MIG (EXTERNAL ONLY)		
TYPE: UL142 LISTED		
CAPACITY: 2000 GALLONS	DWG NO. AC2KVTD	REV. NO. A
WEIGHT: 3130 LBS		
EXT. FINISH: PRIMER		

PRELIMINARY DRAWING ONLY