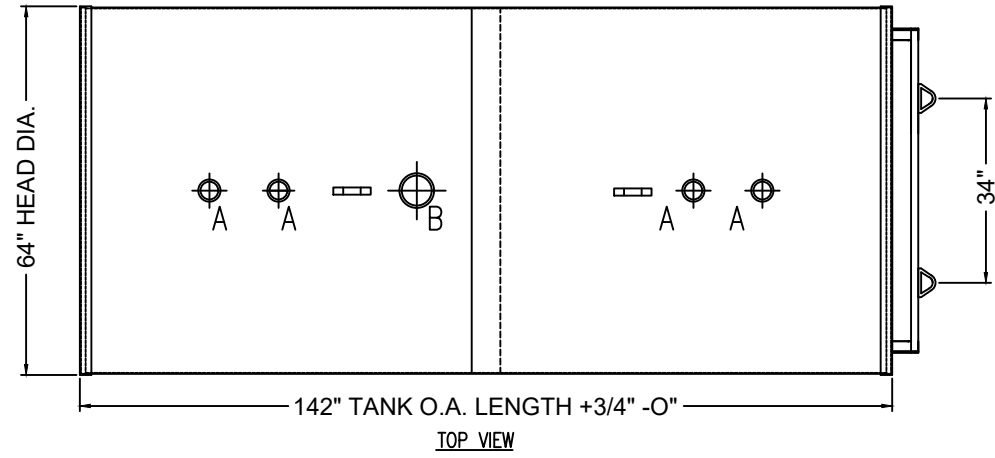
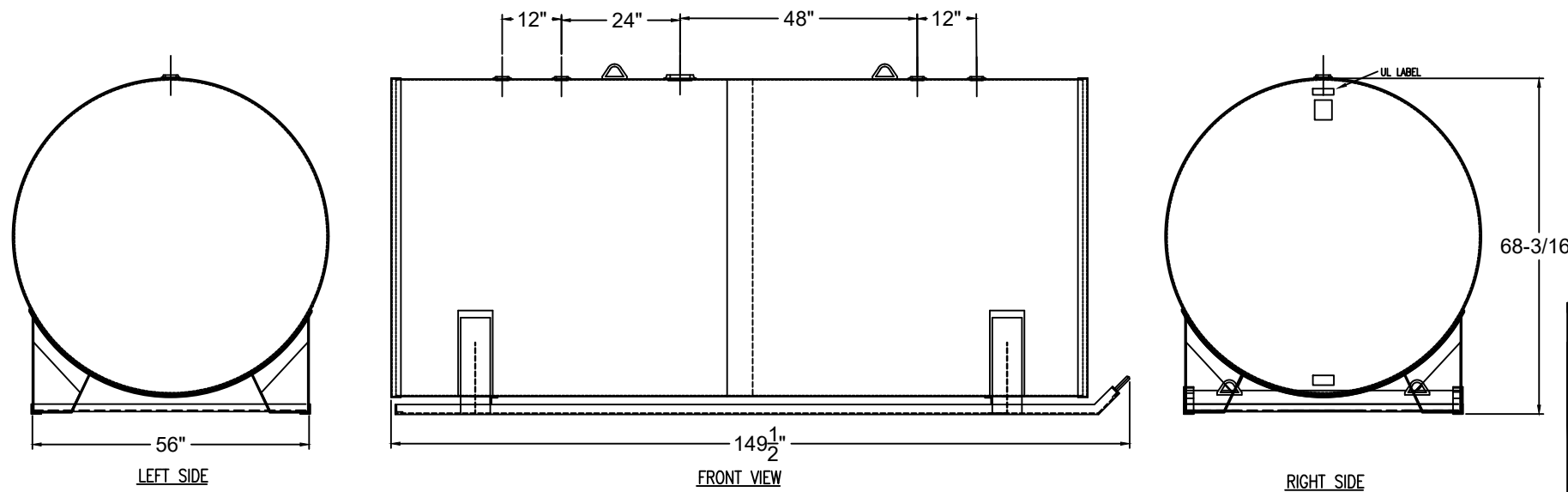


149-1/2" L x 64" W x 68-3/16"H O.A. DIM.

| DRAWING REVISIONS | | | |
|-------------------|-------------|------|-------|
| REV. | DESCRIPTION | DATE | APRVL |
| | | | |
| | | | |
| | | | |



DRAWING APPROVAL:
 SIGN: _____
 DATE: _____
 UNLESS NOTED, TOLERANCES ARE +/- 1-3"



| FLANGE OPENING LEGEND | |
|-----------------------|------------------|
| A | 2" NPT FLANGE |
| B | 6" INNER E- VENT |
| C | |
| D | |
| E | - |
| F | - |

ALL RIGHTS RESERVED. THIS DRAWING OR ANY PART THEREOF MUST NOT BE REPRODUCED IN ANY FORM UNLESS GIVEN PERMISSION BY A REPRESENTATIVE OF THIS COMPANY

806 Island Ford Road
 McGaheysville, VA 22840

Phone 800-522-4980
 540-289-5051
 FAX 540-289-7592

ATLANTIC CONTAINMENT

UL LISTED

DESCRIPTION: 2,000 GALLON ROUND SW HORIZONTAL ON SKIDS

| | | |
|----------------------------|----------------|------------|
| CUST: ATLANTIC CONTAINMENT | DATE: 03/30/21 | DWG BY: NM |
| MATL: CARBON STEEL, 7 GA | | |
| WELD: MIG (EXTERNAL ONLY) | | |
| TYPE: UL 142 LISTED | DWG NO. | REV. NO. |
| CAPACITY: 2000 GALLONS | | |
| WEIGHT: 2155 LBS | | |
| EXT. FINISH: PRIMER | | |

AC2KSK -

PRELIMINARY DRAWING ONLY