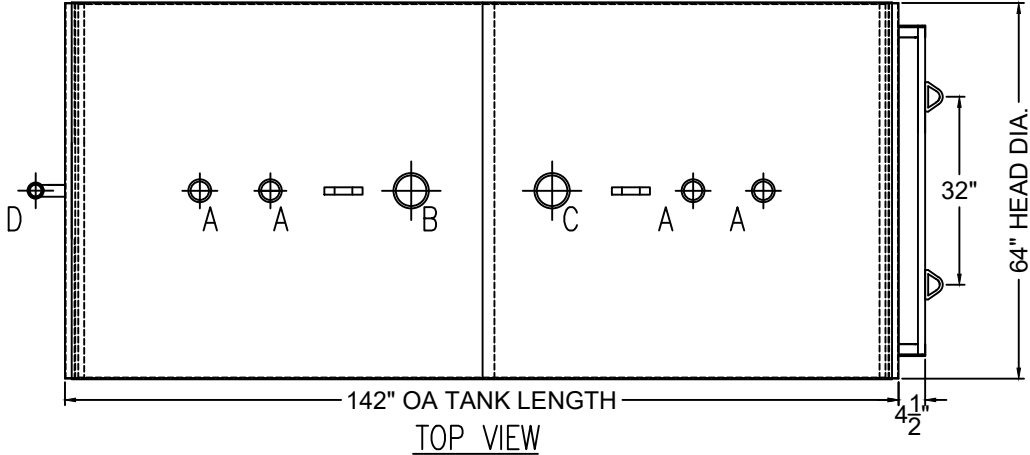


158-7/8" L x 64" W x 68-3/16"H O.A. DIM.

DRAWING REVISIONS			
REV.	DESCRIPTION	DATE	APRVL

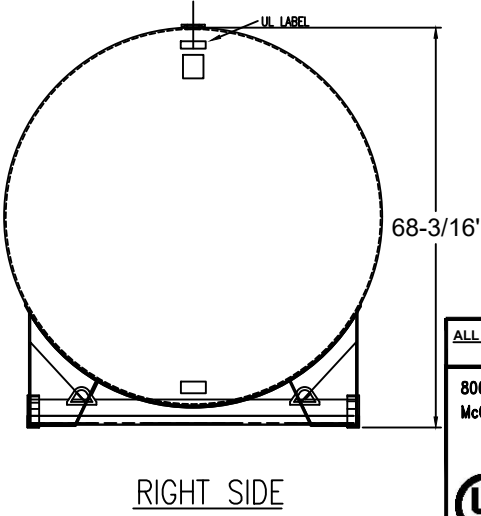
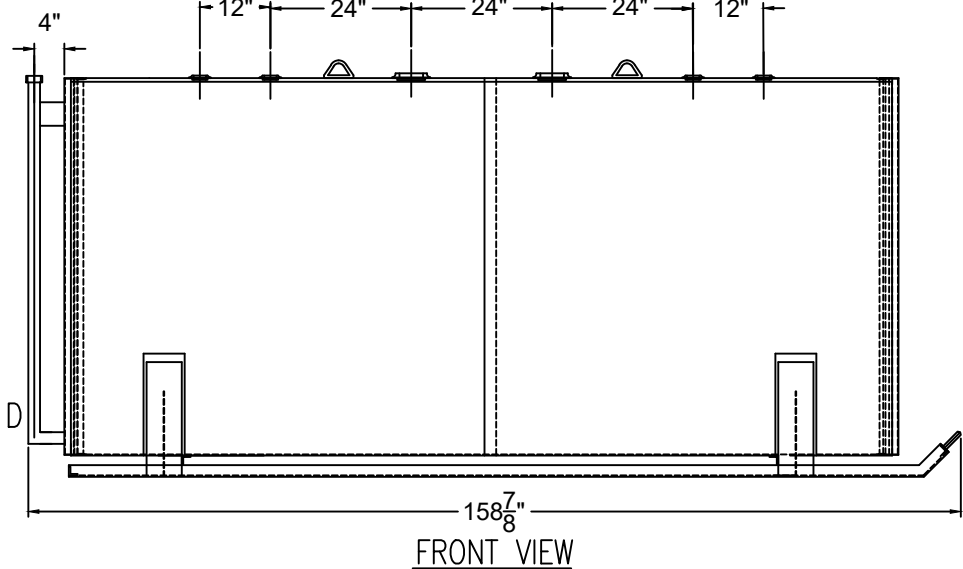
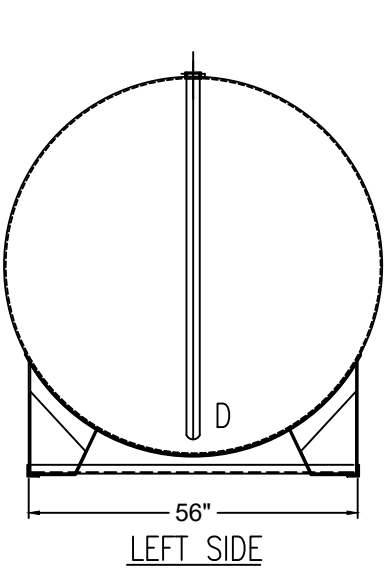


DRAWING APPROVAL:

SIGN: \_\_\_\_\_

DATE: \_\_\_\_\_

UNLESS NOTED, TOLERANCES ARE +/- 1-3"



FLANGE OPENING LEGEND	
A	2" NPT FLANGE
B	6" INNER E- VENT
C	6" OUTER E- VENT
D	2" MONITORING PIPE
E	-
F	-

ALL RIGHTS RESERVED. THIS DRAWING OR ANY PART THEREOF MUST NOT BE REPRODUCED IN ANY FORM UNLESS GIVEN PERMISSION BY A REPRESENTATIVE OF THIS COMPANY

806 Island Ford Road  
McGaheysville, VA 22840

Phone 800-522-4980  
540-289-5051  
FAX 540-289-7592



**ATLANTIC**  
**CONTAINMENT**



DESCRIPTION: 2,000 GALLON ROUND DW HORIZONTAL ON SKIDS

CUST: ATLANTIC CONTAINMENT	DATE: 03/26/21	DWG BY: NM
MATL: CARBON STEEL, 10 GA		
WELD: MIG (EXTERNAL ONLY)		
TYPE: UL 142 LISTED	DWG NO. AC2KKD	REV. NO. -
CAPACITY: 2000 GALLONS		
WEIGHT: 3600 LBS		
EXT. FINISH: PRIMER		

PRELIMINARY DRAWING ONLY