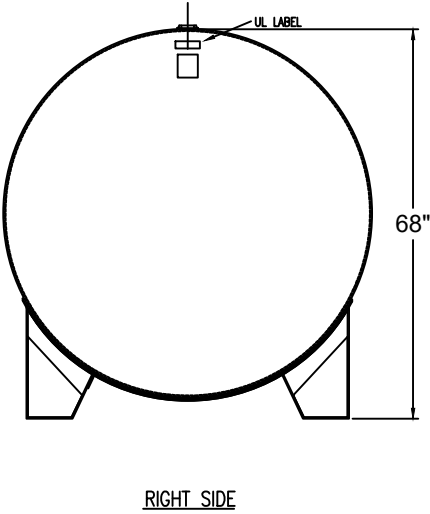
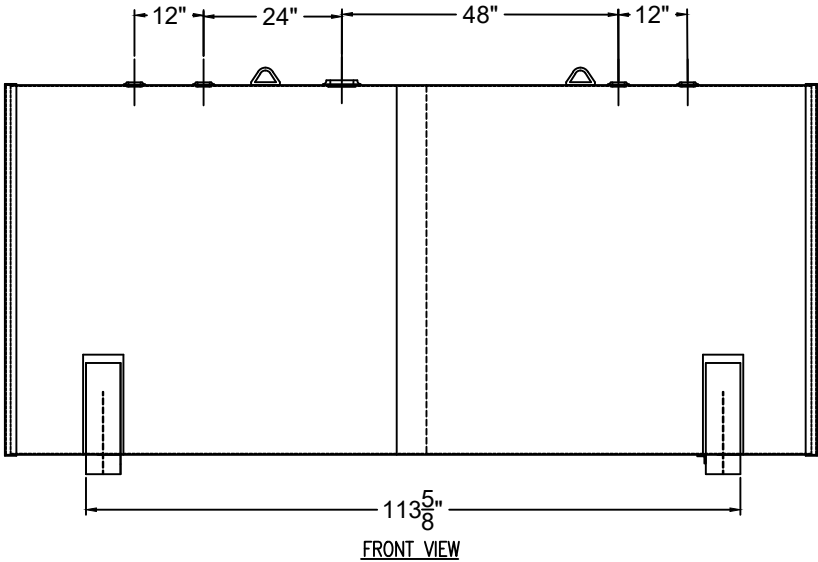
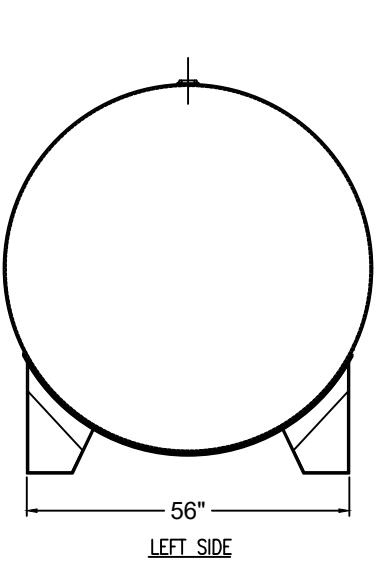
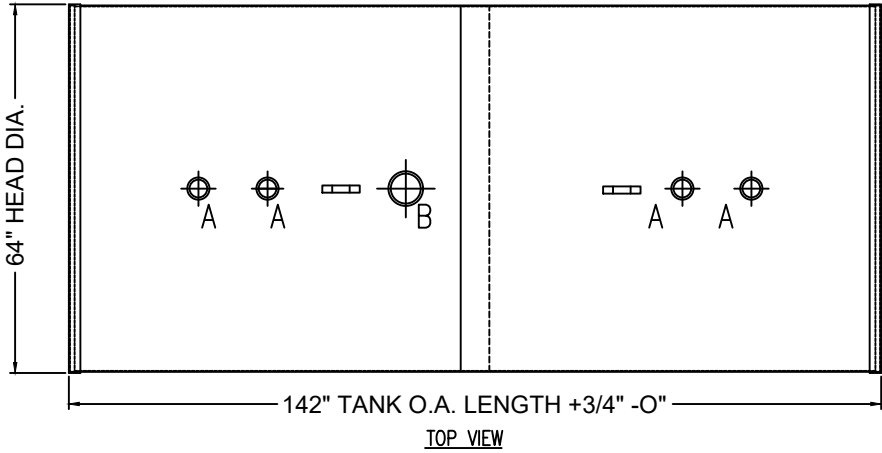


142" L x 64" W x 68" H O.A. DIM.

DRAWING REVISIONS			
REV.	DESCRIPTION	DATE	APRVL



FLANGE OPENING LEGEND	
A	2" NPT FLANGE
B	6" INNER E- VENT
C	
D	
E	-
F	-

DRAWING APPROVAL:  
 SIGN: \_\_\_\_\_  
 DATE: \_\_\_\_\_  
 UNLESS NOTED, TOLERANCES ARE +/- 1-3"

ALL RIGHTS RESERVED. THIS DRAWING OR ANY PART THEREOF MUST NOT BE REPRODUCED IN ANY FORM UNLESS GIVEN PERMISSION BY A REPRESENTATIVE OF THIS COMPANY

806 Island Ford Road  
 McGaheysville, VA 22840  
 Phone 800-522-4980  
 540-289-5051  
 FAX 540-289-7592



DESCRIPTION: 2,000 GALLON ROUND SW HORIZ SUPPORTED			
CUST: ATLANTIC CONTAINMENT	DATE: 03/30/21	DWG BY: NM	
MATL: CARBON STEEL, 7 GA			
WELD: MIG (EXTERNAL ONLY)			
TYPE: UL 142 LISTED	DWG NO. AC2KHS	REV. NO. -	
CAPACITY: 2000 GALLONS			
WEIGHT: 2140 LBS			
EXT. FINISH: PRIMER			

PRELIMINARY DRAWING ONLY