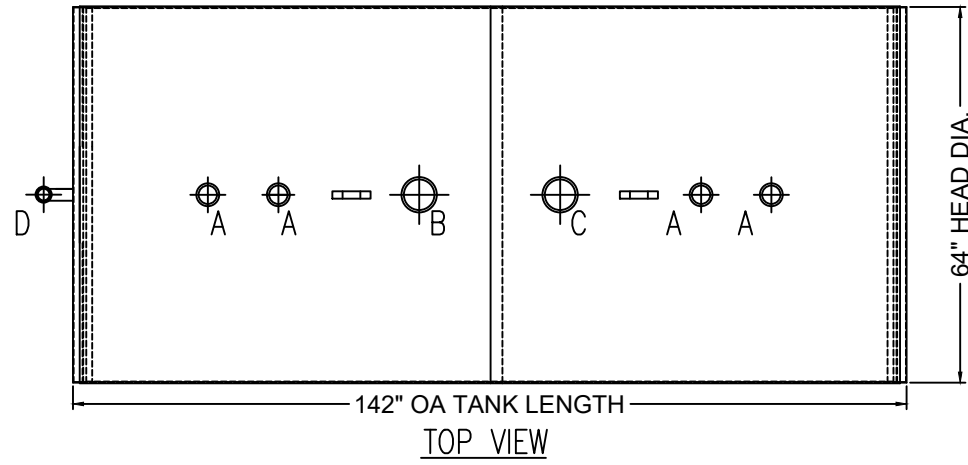
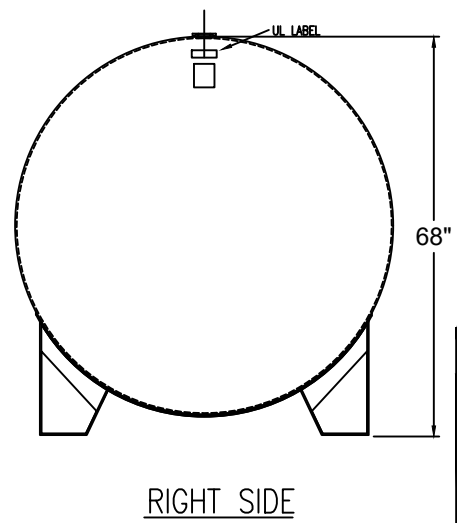
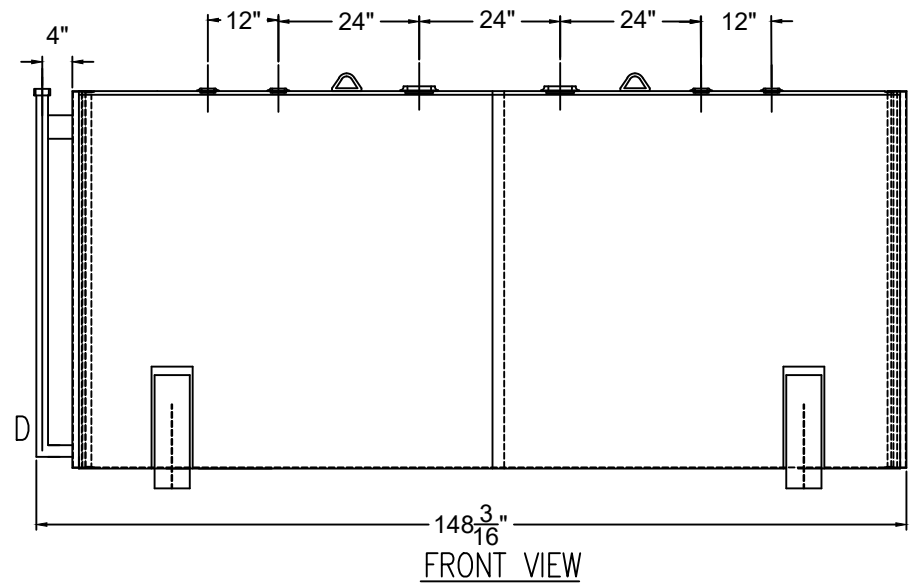
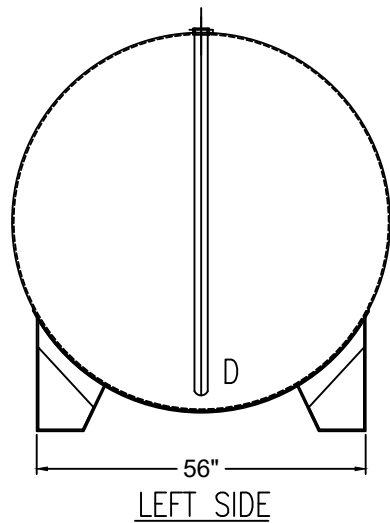


148-3/16" L x 64" W x 68" H O.A. DIM.

DRAWING REVISIONS			
REV.	DESCRIPTION	DATE	APRVL



DRAWING APPROVAL:
SIGN: _____
DATE: _____
UNLESS NOTED, TOLERANCES ARE +/- 1-3"



FLANGE OPENING LEGEND	
A	2" NPT FLANGE
B	6" INNER E- VENT
C	6" OUTER E- VENT
D	2" MONITORING PIPE
E	-
F	-

ALL RIGHTS RESERVED. THIS DRAWING OR ANY PART THEREOF MUST NOT BE REPRODUCED IN ANY FORM UNLESS GIVEN PERMISSION BY A REPRESENTATIVE OF THIS COMPANY

806 Island Ford Road
McGaheysville, VA 22840
Phone 800-522-4980
540-289-5051
FAX 540-289-7592



DESCRIPTION: 2,000 GALLON ROUND DW HORIZ ON SUPPORTS			
CUST: ATLANTIC CONTAINMENT	DATE: 03/26/21	DWG BY: NM	
MATL: CARBON STEEL, 10 GA			
WELD: MIG (EXTERNAL ONLY)			
TYPE: UL 142 LISTED	DWG NO. AC2KDHS	REV. NO. -	
CAPACITY: 2000 GALLONS			
WEIGHT: 3550 LBS			
EXT. FINISH: PRIMER			

PRELIMINARY DRAWING ONLY