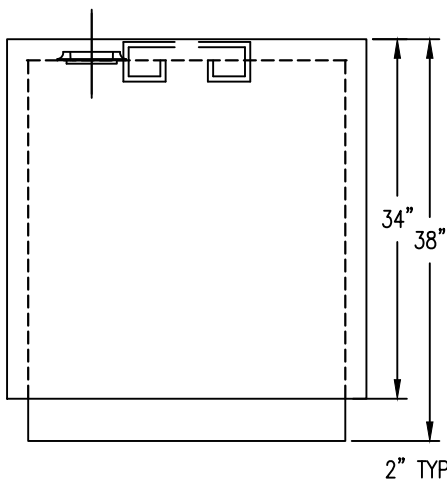
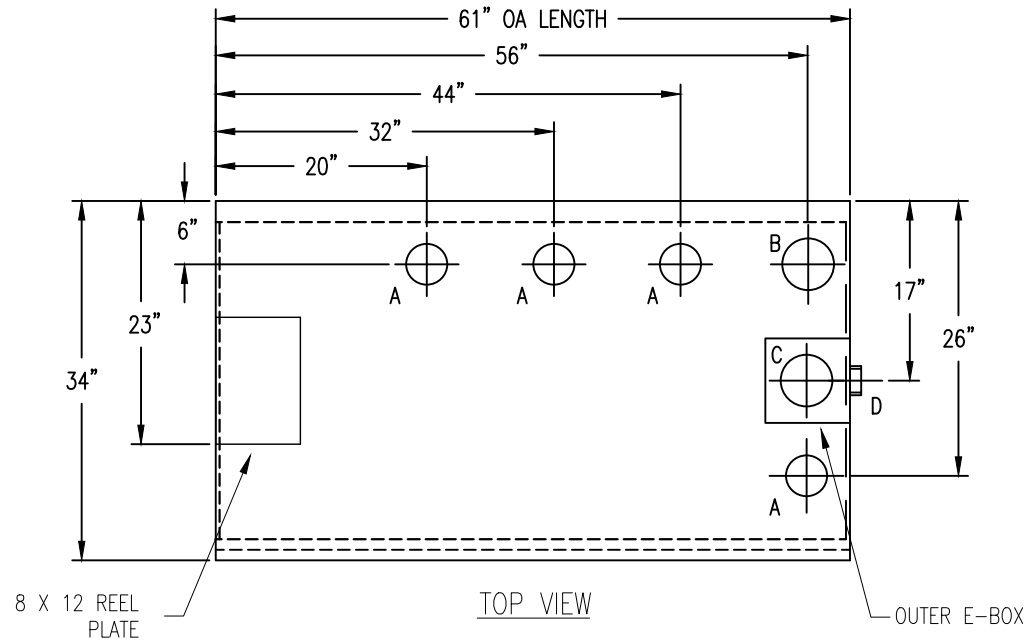
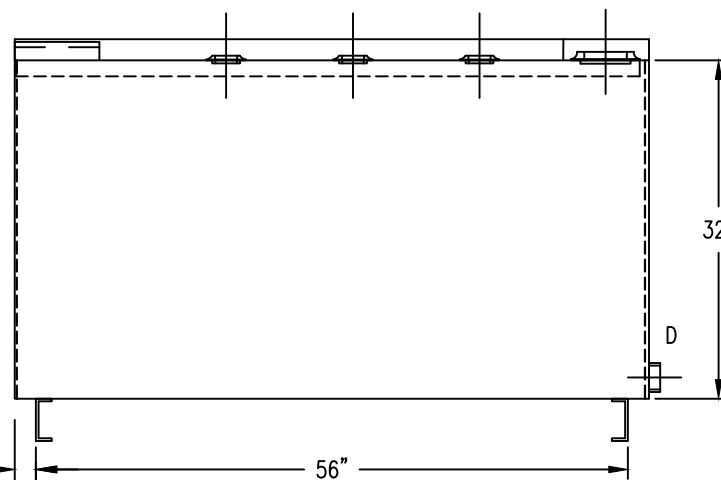


61"L X 34"W X 38"H OA DIM.

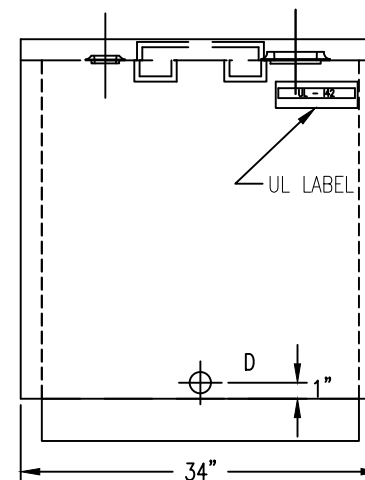
DRAWING REVISIONS			
REV.	DESCRIPTION	DATE	APRVL



LEFT VIEW



FRONT VIEW



RIGHT VIEW



FLANGE OPENING LEGEND	
A	2" NPT FLANGE
B	3" INNER E-VENT
C	3" OUTER E-VENT
D	1/2" MONITORING FLANGE
E	-
F	-

ALL RIGHTS RESERVED. THIS DRAWING OR ANY PART THEREOF MUST NOT BE REPRODUCED IN ANY FORM UNLESS GIVEN PERMISSION BY A REPRESENTATIVE OF THIS COMPANY

806 Island Ford Road
McGaheysville, VA 22840

Phone 800-522-4980
540-289-5051
FAX 540-289-7592



ATLANTIC
CONTAINMENT



DESCRIPTION: 250 GALLON DW BENCH TANK - IC

CUST: ATLANTIC CONTAINMENT
MATL: CARBON STEEL, 12 GA
WELD: MIG (EXTERNAL ONLY)
TYPE: UL 142 LISTED
CAPACITY: 250 GALLONS
WEIGHT: 650LBS
EXT. FINISH: PRIMER

DATE: 08/27/19
DWG BY: NM
DWG NO. AC250DW
REV. NO. -

PRELIMINARY DRAWING ONLY