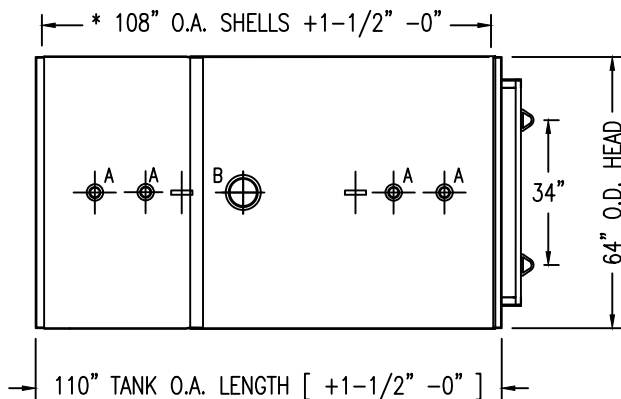
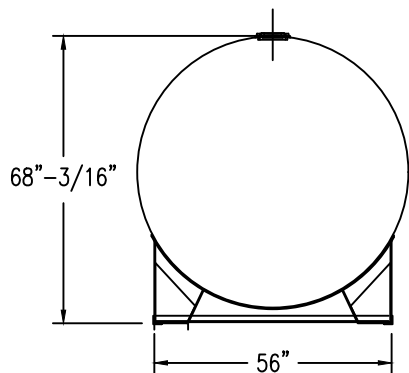


118" L x 64" W x 68-3/16" H O.A. DIM.

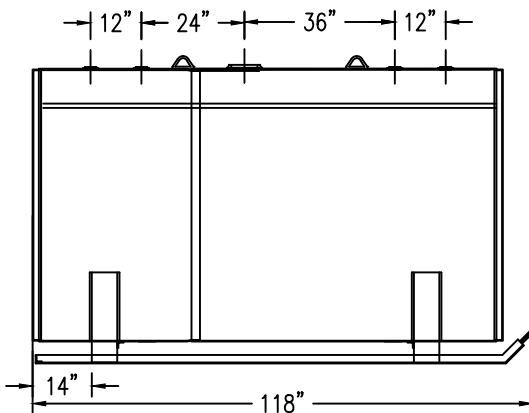
DETERMINED BY SIZE OF STEEL
AS SUPPLIED BY MILL.



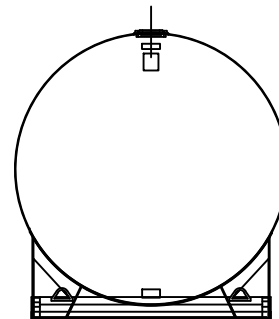
TOP VIEW



LEFT SIDE



FRONT VIEW



RIGHT VIEW

PRELIMINARY DRAWING ONLY

DRAWING REVISIONS			
REV.	DESCRIPTION	DATE	APRVL

DRAWING APPROVAL:

SIGN: _____

DATE: _____

UNLESS NOTED, TOLERANCES ARE +/- 1-3'

FLANGE OPENING LEGEND

A	2" NPT FLANGE
B	6" INNER E-VENT
C	-
D	-
E	-
F	-

ALL RIGHTS RESERVED. THIS DRAWING OR ANY PART THEREOF MUST NOT BE REPRODUCED IN ANY FORM UNLESS GIVEN PERMISSION BY A REPRESENTATIVE OF THIS COMPANY.

806 Island Ford Road
McGaheysville, VA 22840

Phone 800-522-4980
540-289-5051
FAX 540-289-7592



**ATLANTIC
CONTAINMENT**



DESCRIPTION: 1,500 GALLON ROUND SW HORIZ SKIDS

CUST: ATLANTIC CONTAINMENT
MATL: CARBON STEEL, 12 GA
WELD: MIG (EXTERNAL ONLY)
TYPE: UL 142 LISTED
CAPACITY: 1,500 GALLONS
WEIGHT: 1865 LBS
EXT. FINISH: PRIMER

DATE: 10/14/20 DWG BY:
DWG NO. REV. NO.
AC1_5KSK -