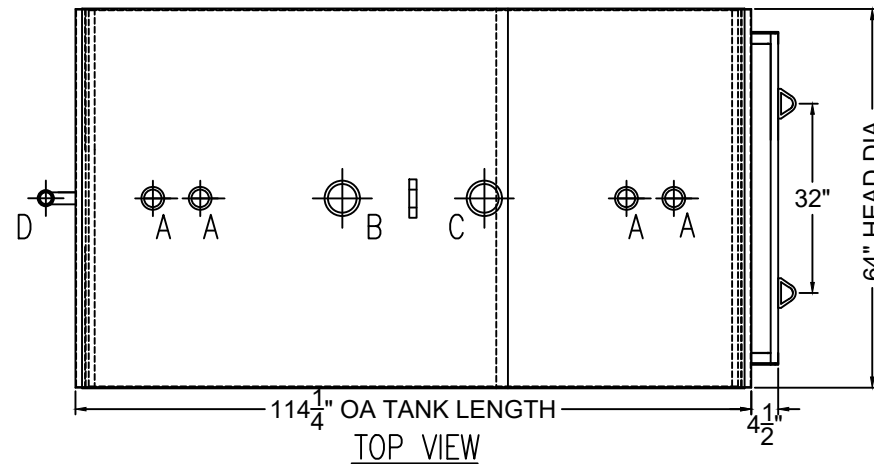


131-1/8" L x 64" W x 68-3/16"H O.A. DIM.

DRAWING REVISIONS			
REV.	DESCRIPTION	DATE	APRVL

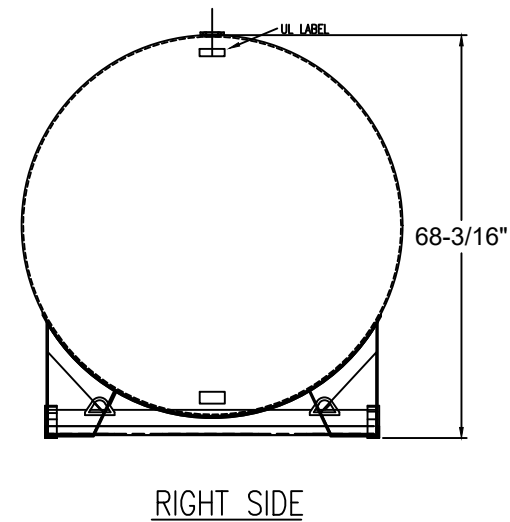
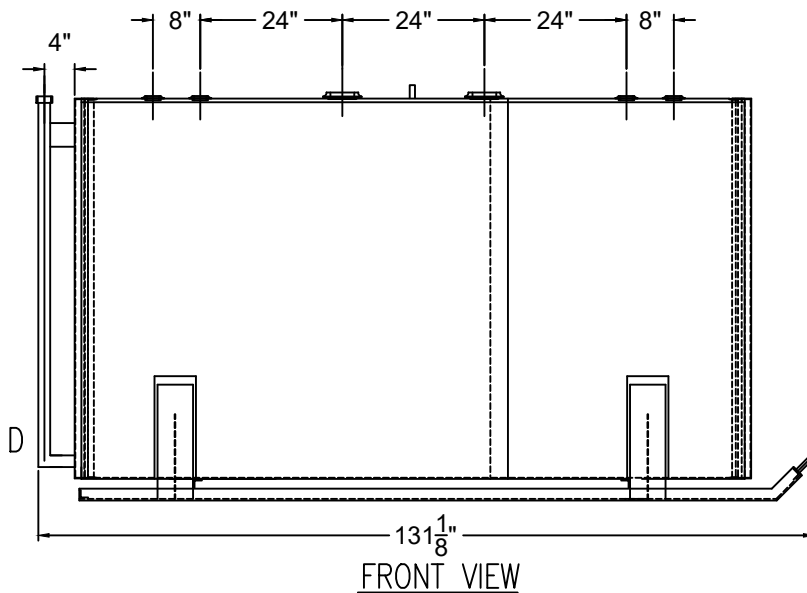
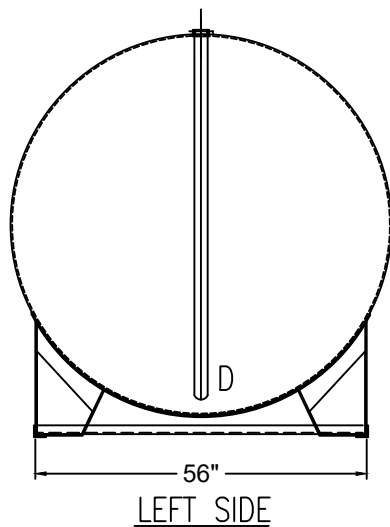


DRAWING APPROVAL:

SIGN: _____

DATE: _____

UNLESS NOTED, TOLERANCES ARE +/- 1-3"



FLANGE OPENING LEGEND	
A	2" NPT FLANGE
B	6" INNER E- VENT
C	6" OUTER E- VENT
D	2" MONITORING PIPE
E	-
F	-

PRELIMINARY DRAWING ONLY

ALL RIGHTS RESERVED. THIS DRAWING OR ANY PART THEREOF MUST NOT BE REPRODUCED IN ANY FORM UNLESS GIVEN PERMISSION BY A REPRESENTATIVE OF THIS COMPANY

806 Island Ford Road
McGaheysville, VA 22840
Phone 800-522-4980
540-289-5051
FAX 540-289-7592



**ATLANTIC
CONTAINMENT**



DESCRIPTION: 1,500 GALLON ROUND DW HORIZONTAL ON SKIDS

CUST: ATLANTIC CONTAINMENT
MATL: CARBON STEEL, 10 GA
WELD: MIG (EXTERNAL ONLY)
TYPE: UL 142 LISTED
CAPACITY: 1500 GALLONS
WEIGHT: 2935 LBS
EXT. FINISH: PRIMER

DATE: 03/26/21	DWG BY: NM
DWG NO.	REV. NO.
AC1_5KKD	-