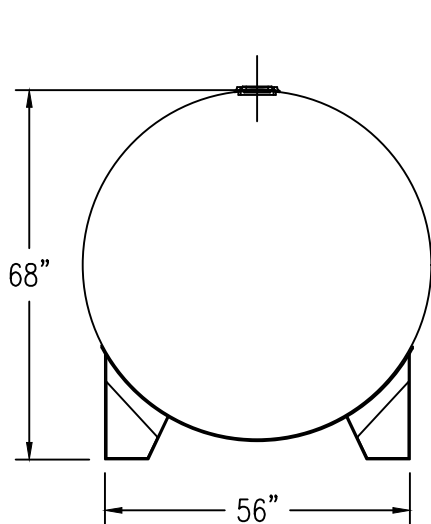
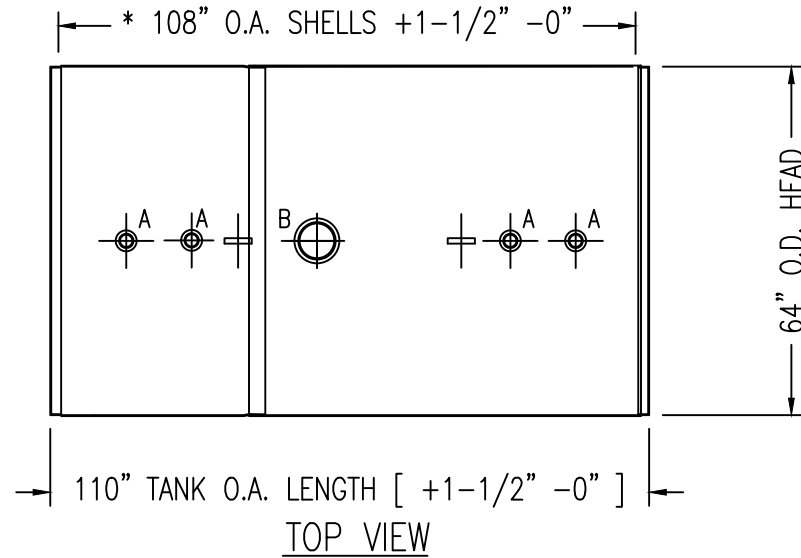
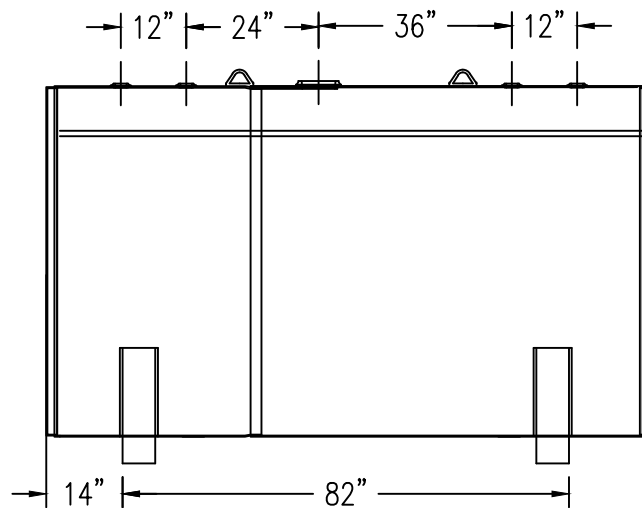


110" L x 64" W x 68"H O.A. DIM.

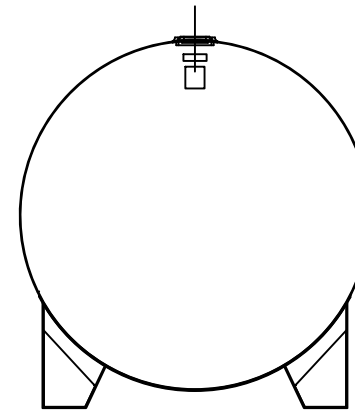
DETERMINED BY SIZE OF STEEL
AS SUPPLIED BY MILL.



LEFT SIDE



FRONT VIEW



RIGHT VIEW

PRELIMINARY DRAWING ONLY

DRAWING REVISIONS			
REV.	DESCRIPTION	DATE	APRVL

DRAWING APPROVAL:

SIGN: _____

DATE: _____

UNLESS NOTED, TOLERANCES ARE +/- 1-3"

FLANGE OPENING LEGEND	
A	2" NPT FLANGE
B	6" INNER E-VENT
C	-
D	-
E	-
F	-

ALL RIGHTS RESERVED, THIS DRAWING OR ANY PART THEREOF MUST NOT BE REPRODUCED IN ANY FORM UNLESS GIVEN PERMISSION BY A REPRESENTATIVE OF THIS COMPANY

806 Island Ford Road
McGaheysville, VA 22840

Phone 800-522-4980
540-289-5051
FAX 540-289-7592



ATLANTIC
CONTAINMENT



DESCRIPTION: 1,500 GALLON ROUND SW HORIZ SUPPORT

CUST:	ATLANTIC CONTAINMENT
MATL:	CARBON STEEL, 12 GA
WELD:	MIG (EXTERNAL ONLY)
TYPE:	UL 142 LISTED
CAPACITY:	1,500 GALLONS
WEIGHT:	1850 LBS
EXT. FINISH:	PRIMER

DATE:	DWG BY:
10/14/20	
DWG NO.	REV. NO.
AC1_5KHS	-