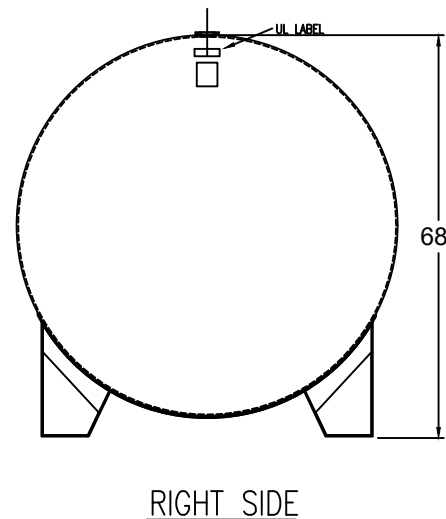
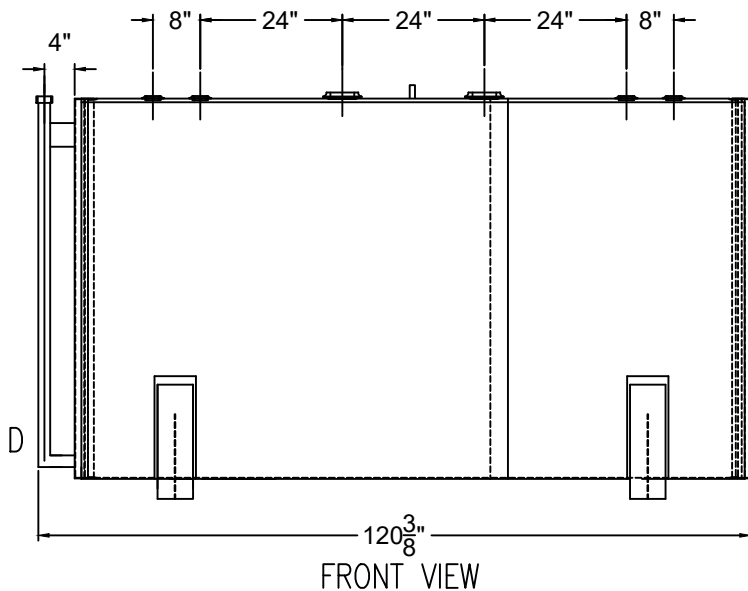
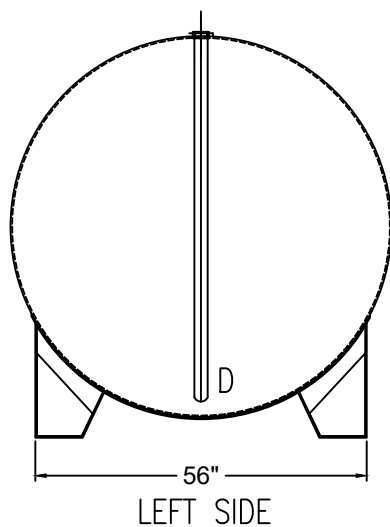
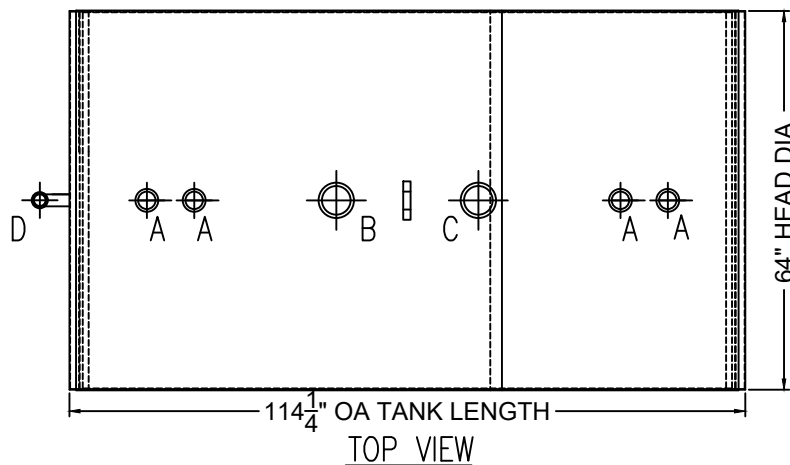


120-3/8" L x 64" W x 68 "H O.A. DIM.

DRAWING REVISIONS			
REV.	DESCRIPTION	DATE	APRVL



DRAWING APPROVAL:

SIGN: _____

DATE: _____

UNLESS NOTED, TOLERANCES ARE +/- 1-3"

FLANGE OPENING LEGEND	
A	2" NPT FLANGE
B	6" INNER E- VENT
C	6" OUTER E- VENT
D	2" MONITORING PIPE
E	-
F	-

ALL RIGHTS RESERVED. THIS DRAWING OR ANY PART THEREOF MUST NOT BE REPRODUCED IN ANY FORM UNLESS GIVEN PERMISSION BY A REPRESENTATIVE OF THIS COMPANY

806 Island Ford Road
McGaheysville, VA 22840

Phone 800-522-4980
540-289-5051
FAX 540-289-7592



ATLANTIC
CONTAINMENT



DESCRIPTION: 1,500 GALLON ROUND DW HORIZ ON SUPPORTS

CUST: ATLANTIC CONTAINMENT
MATL: CARBON STEEL, 10 GA
WELD: MIG (EXTERNAL ONLY)
TYPE: UL 142 LISTED
CAPACITY: 1500 GALLONS
WEIGHT: 2925 LBS
EXT. FINISH: PRIMER

DATE: 03/26/21
DWG BY: NM
DWG NO. AC1_5KDHS
REV. NO. -

PRELIMINARY DRAWING ONLY