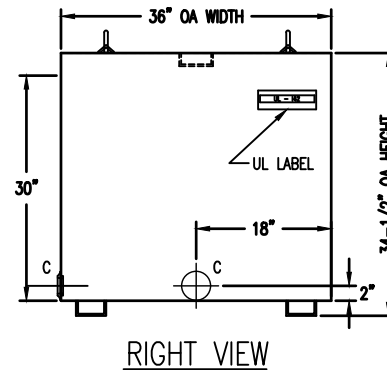
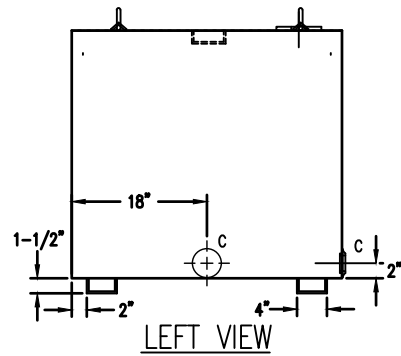


216"L X 36"W X 34-1/2"H OA DIM.

DRAWING REVISIONS			
REV.	DESCRIPTION	DATE	APRVL

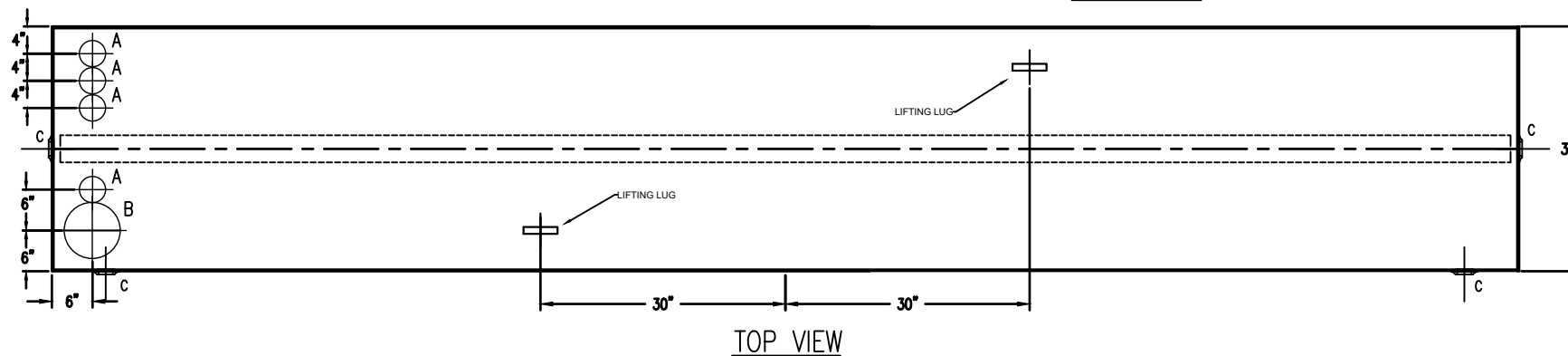


DRAWING APPROVAL:

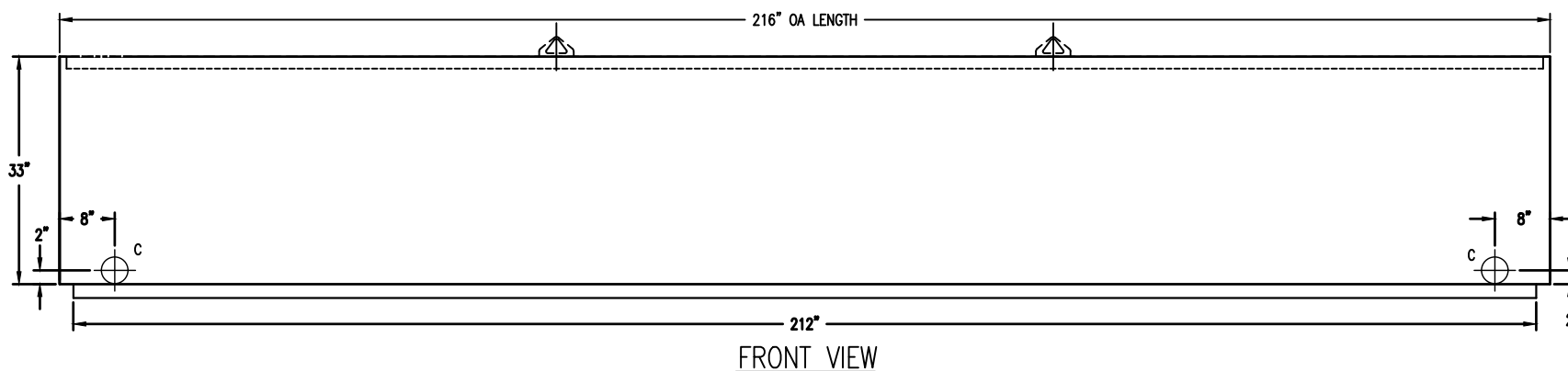
SIGN: _____

DATE: _____

UNLESS NOTED, TOLERANCES ARE +/- 1-3"



FLANGE OPENING LEGEND	
A	2" NPT FLANGE
B	6" INNER E-VENT
C	2" SERVICE DRAIN
D	-
E	-
F	-



PRELIMINARY DRAWING ONLY

ALL RIGHTS RESERVED. THIS DRAWING OR ANY PART THEREOF MUST NOT BE REPRODUCED IN ANY FORM UNLESS GIVEN PERMISSION BY A REPRESENTATIVE OF THIS COMPANY

806 Island Ford Road
McGaheysville, VA 22840

Phone 800-522-4980
540-289-5051
FAX 540-289-7592



ATLANTIC
CONTAINMENT



DESCRIPTION: 1000 GALLON SW UNDER CATWALK TANK

CUST: ATLANTIC CONTAINMENT	DATE: 06/26/19	DWG BY: NM
MATL: CARBON STEEL, 10 GA		
WELD: MIG (EXTERNAL ONLY)		
TYPE: UL 142 LISTED	DWG NO.	REV. NO.
CAPACITY: 1000 GALLONS		
WEIGHT: 1800 LBS		
EXT. FINISH: PRIMER		

	AC1KUCW	-
--	---------	---