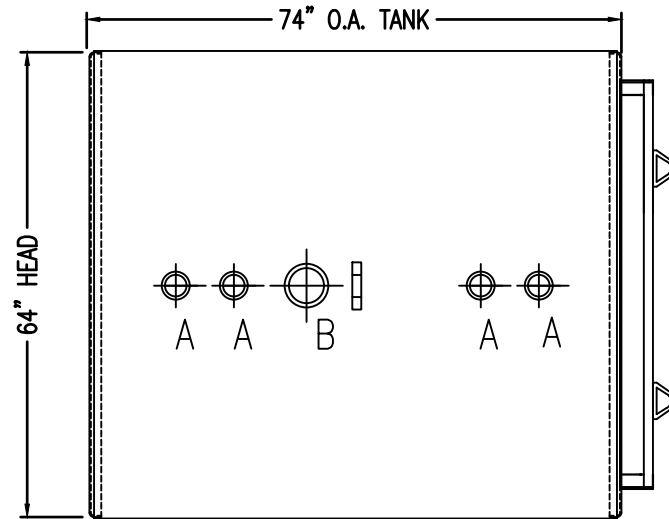
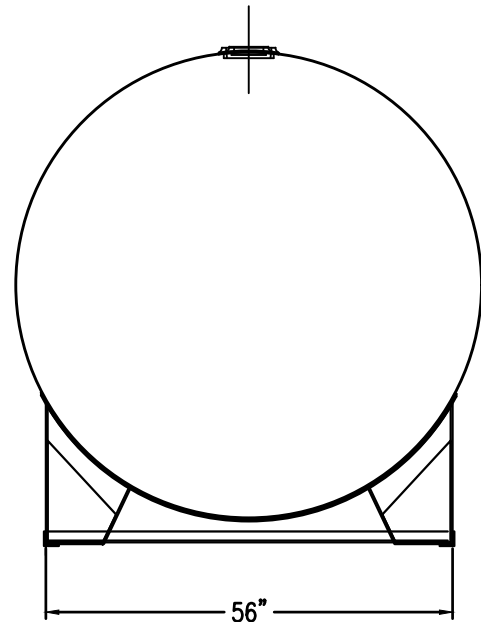


78-5/16" L x 64" W x 68-1/16" H O.A. DIM.

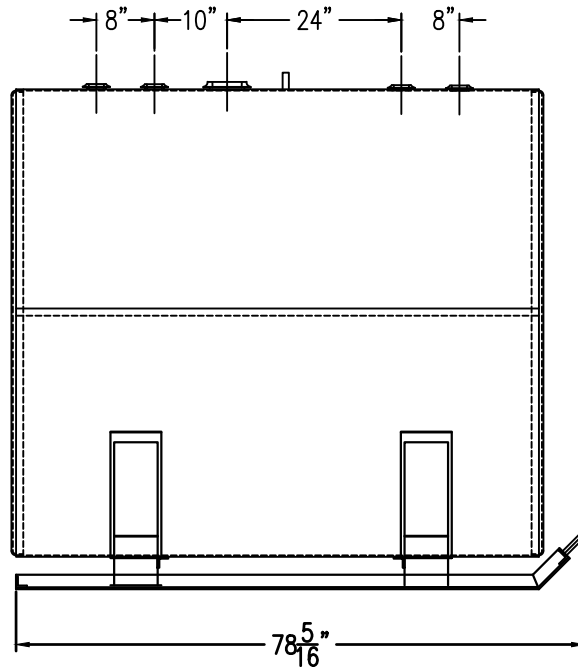
DRAWING REVISIONS			
REV.	DESCRIPTION	DATE	APRVL



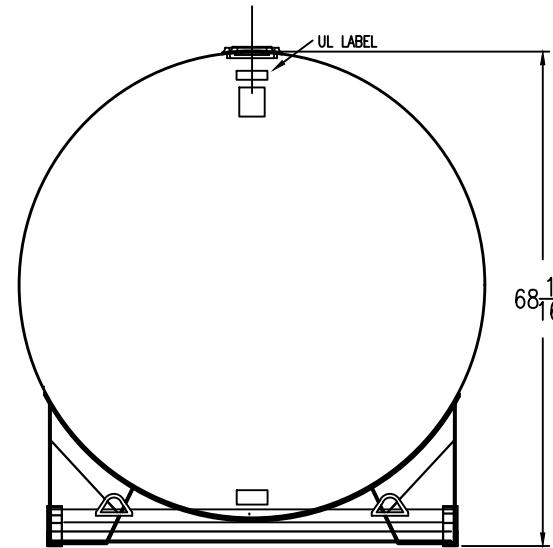
TOP VIEW



LEFT VIEW



FRONT VIEW



RIGHT VIEW

DRAWING APPROVAL:

SIGN: \_\_\_\_\_

DATE: \_\_\_\_\_

UNLESS NOTED, TOLERANCES ARE +/- 1-3"

FLANGE OPENING LEGEND	
A	2" NPT FLANGE
B	4" INNER E-VENT
C	-
D	-
E	-
F	-



ALL RIGHTS RESERVED. THIS DRAWING OR ANY PART THEREOF MUST NOT BE REPRODUCED IN ANY FORM UNLESS GIVEN PERMISSION BY A REPRESENTATIVE OF THIS COMPANY

806 Island Ford Road  
McGaheysville, VA 22840

Phone 800-522-4980  
540-289-5051  
FAX 540-289-7592



**ATLANTIC**  
**CONTAINMENT**



DESCRIPTION: 1000 GALLON ROUND SW HORIZONTAL ON SKIDS

CUST: ATLANTIC CONTAINMENT

MATL: CARBON STEEL, 10 GA

WELD: MIG (EXTERNAL ONLY)

TYPE: UL 142 LISTED

CAPACITY: 1,000 GALLONS

WEIGHT: 2165 LBS

EXT. FINISH: PRIMER

DATE: DWG BY:

10/16/20

DWG NO. REV. NO.

AC1KSK64 -

PRELIMINARY DRAWING ONLY