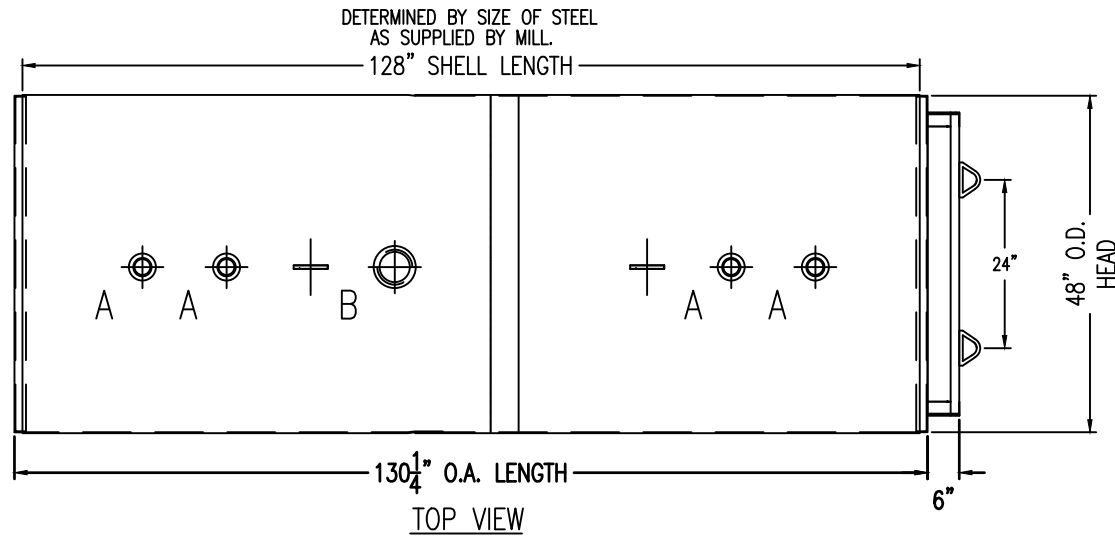


139-5/8" L x 48" W x 53-3/8" H O.A. DIM.

DRAWING REVISIONS			
REV.	DESCRIPTION	DATE	APRVL

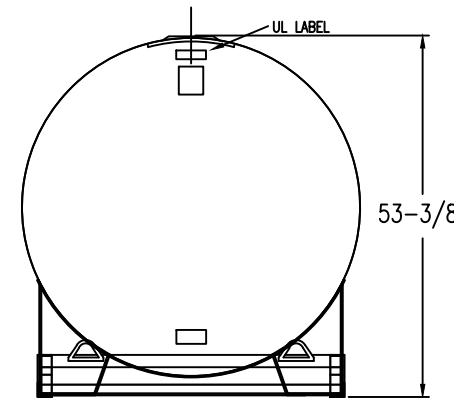
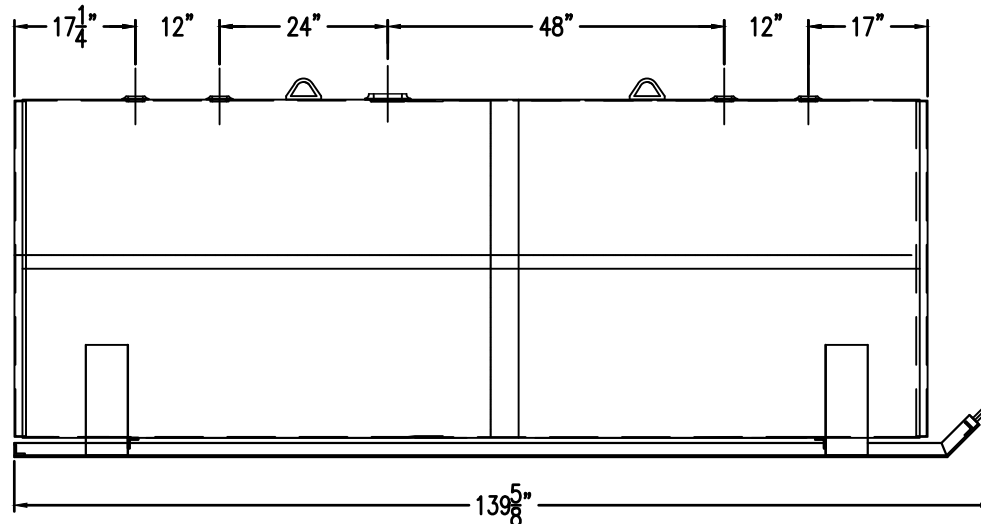
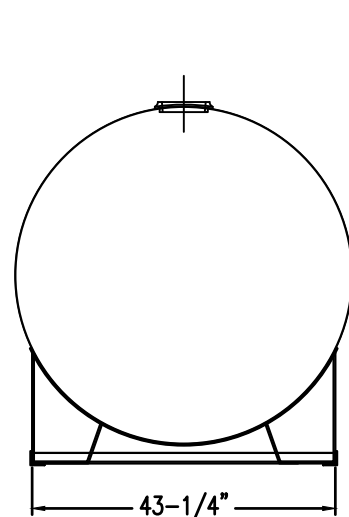


DRAWING APPROVAL:

SIGN: _____

DATE: _____

UNLESS NOTED, TOLERANCES ARE +/- 1-3"



FLANGE OPENING LEGEND	
A	2" NPT FLANGE
B	4" INNER E-VENT
C	-
D	-
E	-
F	-



ALL RIGHTS RESERVED. THIS DRAWING OR ANY PART THEREOF MUST NOT BE REPRODUCED IN ANY FORM UNLESS GIVEN PERMISSION BY A REPRESENTATIVE OF THIS COMPANY

806 Island Ford Road
McGaheysville, VA 22840

Phone 800-522-4980
540-289-5051
FAX 540-289-7592



ATLANTIC
CONTAINMENT



DESCRIPTION: 1,000 GALLON SW HORIZONTAL ON SKIDS

CUST: ATLANTIC CONTAINMENT

MATL: CARBON STEEL, 10 GA

WELD: MIG (EXTERNAL ONLY)

TYPE: UL142 LISTED

CAPACITY: 1,000 GALLONS

WEIGHT: 1175 LBS

EXT. FINISH: PRIMER

DATE: 10/16/20 DWG BY: NM

DWG NO. REV. NO.

AC1KSK48

PRELIMINARY DRAWING ONLY