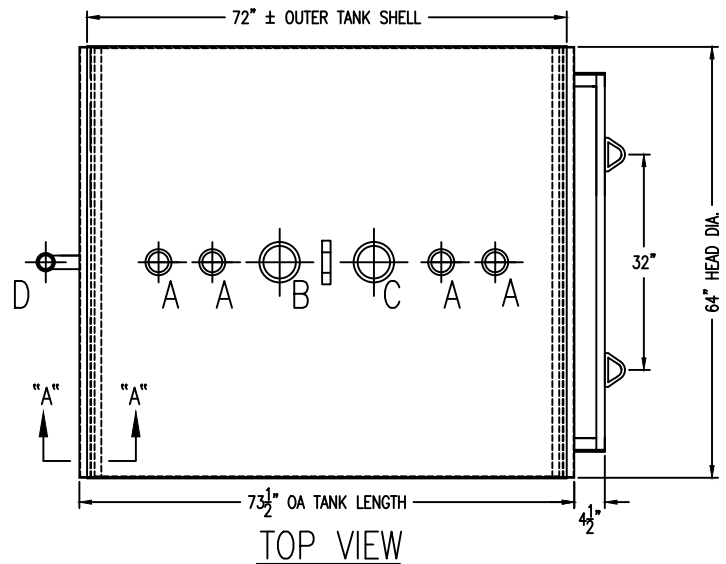
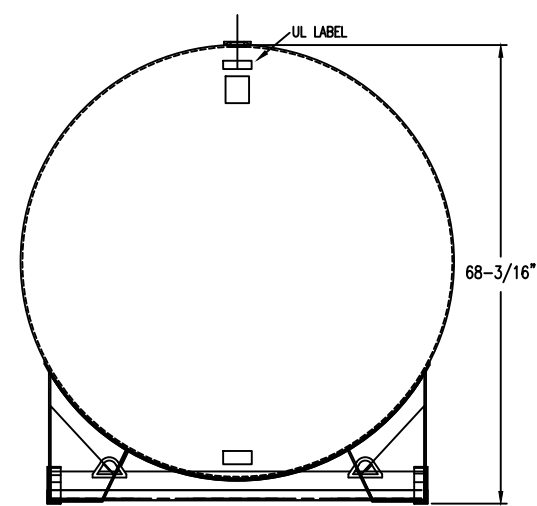
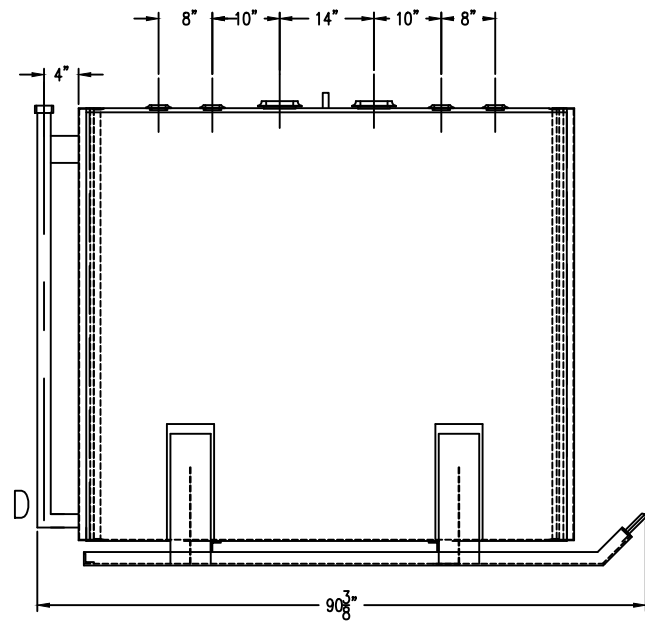
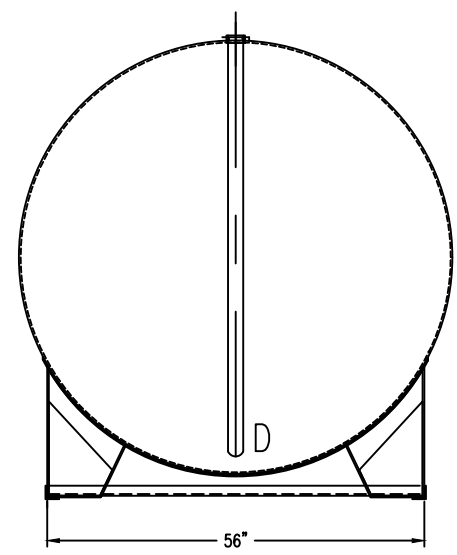


90-3/8" L x 64" W x 68-3/16"H O.A. DIM.

DRAWING REVISIONS			
REV.	DESCRIPTION	DATE	APRVL



DRAWING APPROVAL:
 SIGN: _____
 DATE: _____
 UNLESS NOTED, TOLERANCES ARE +/- 1-3"



FLANGE OPENING LEGEND	
A	2" NPT FLANGE
B	6" INNER E-VENT
C	6" OUTER E-VENT
D	2" MONITORING PIPE
E	-
F	-



ALL RIGHTS RESERVED. THIS DRAWING OR ANY PART THEREOF MUST NOT BE REPRODUCED IN ANY FORM UNLESS GIVEN PERMISSION BY A REPRESENTATIVE OF THIS COMPANY

806 Island Ford Road Phone 800-522-4980
 McGaheysville, VA 22840 540-289-5051
 FAX 540-289-7592



DESCRIPTION: 1,000 GALLON ROUND DW HORIZONTAL ON SKIDS

CUST: ATLANTIC CONTAINMENT	DATE: 02/10/21	DWG BY: NM
MATL: CARBON STEEL, 10 GA		
WELD: MIG (EXTERNAL ONLY)		
TYPE: UL142 LISTED	DWG NO. AC1KKD64	REV. NO. -
CAPACITY: 1000 GALLONS		
WEIGHT: 2160LBS		
EXT. FINISH: PRIMER		

PRELIMINARY DRAWING ONLY