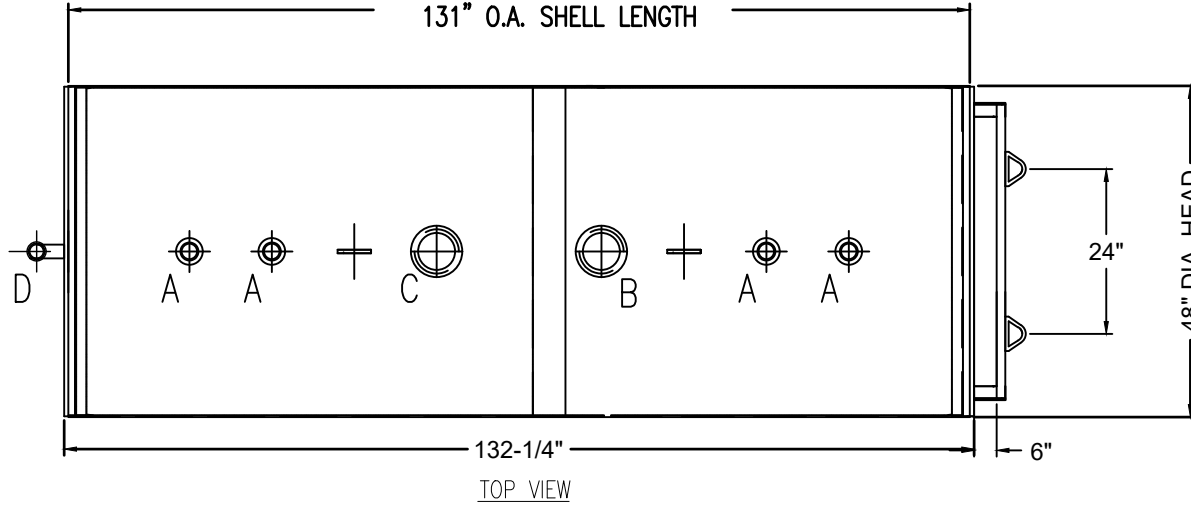


**145" L x 48" W x 53-1/2"H O.A. DIM.**

DRAWING REVISIONS			
REV.	DESCRIPTION	DATE	APRVL

DETERMINED BY SIZE OF STEEL  
AS SUPPLIED BY MILL.  
131" O.A. SHELL LENGTH



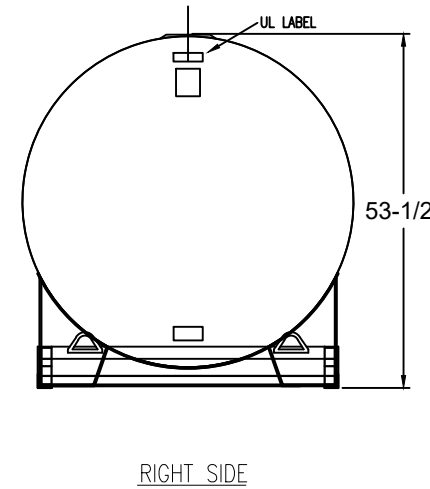
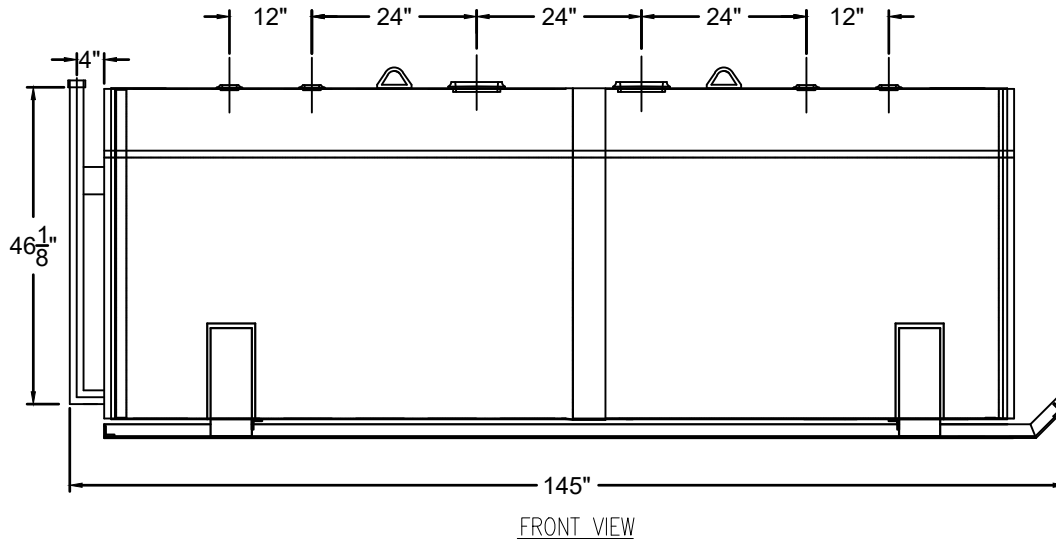
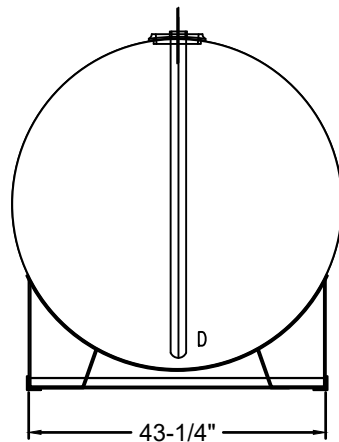
DRAWING APPROVAL:

SIGN: \_\_\_\_\_

DATE: \_\_\_\_\_

UNLESS NOTED, TOLERANCES ARE +/- 1-3"

FLANGE OPENING LEGEND	
A	2" NPT FLANGE
B	4" INNER E-VENT
C	6" OUTER E-VENT
D	2" MONITORING PIPE
E	-
F	-



PRELIMINARY DRAWING ONLY

ALL RIGHTS RESERVED. THIS DRAWING OR ANY PART THEREOF MUST NOT BE REPRODUCED IN ANY FORM UNLESS GIVEN PERMISSION BY A REPRESENTATIVE OF THIS COMPANY

806 Island Ford Road  
McGaheysville, VA 22840  
Phone 800-522-4980  
540-289-5051  
FAX 540-289-7592



DESCRIPTION: 1,000 GALLON ROUND DW HORIZ SKID			
CUST: ATLANTIC CONTAINMENT	DATE: 02/10/21	DWG BY: NM	
MATL: CARBON STEEL, 10 GA			
WELD: MIG (EXTERNAL ONLY)			
TYPE: UL142 LISTED	DWG NO. AC1KKD48	REV. NO. -	
CAPACITY: 1,000 GALLONS			
WEIGHT: 1850 LBS			
EXT. FINISH: PRIMER			