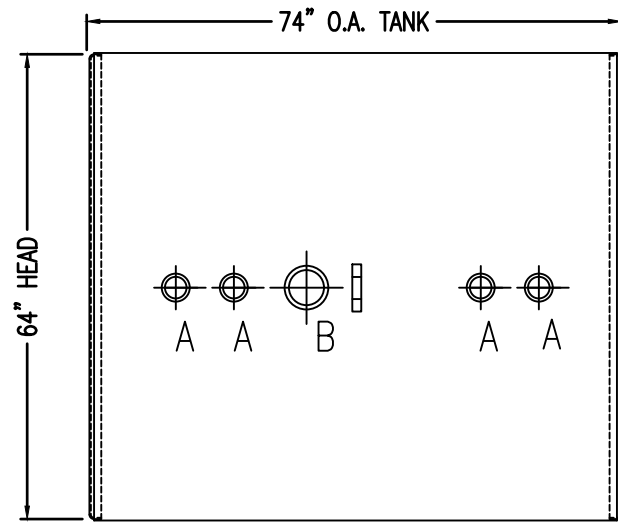
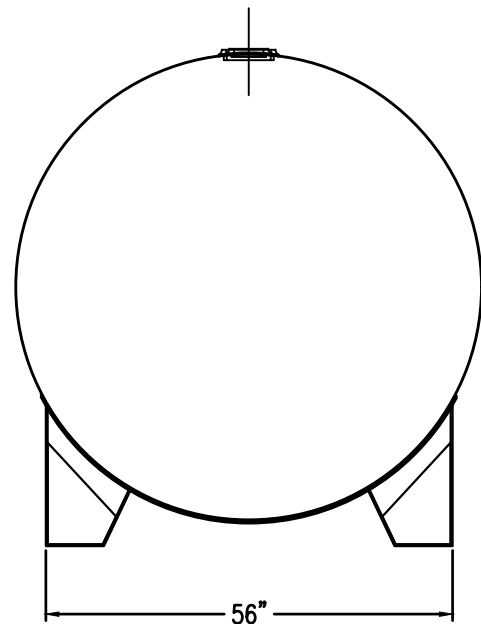


74" L x 64" W x 68" H O.A. DIM.

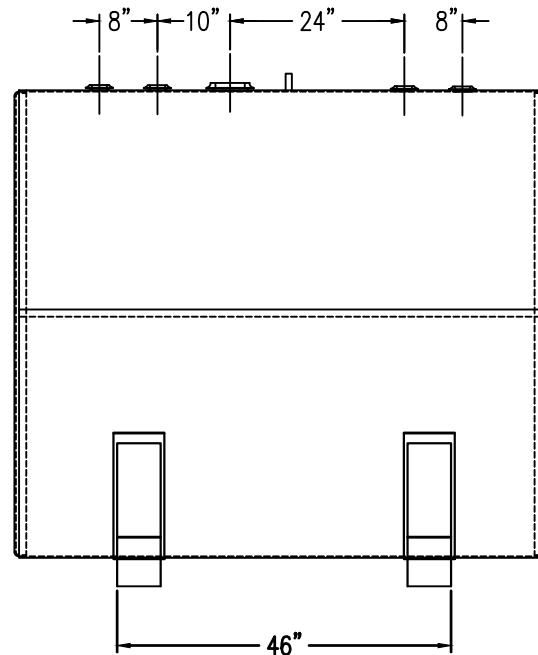
DRAWING REVISIONS			
REV.	DESCRIPTION	DATE	APRVL



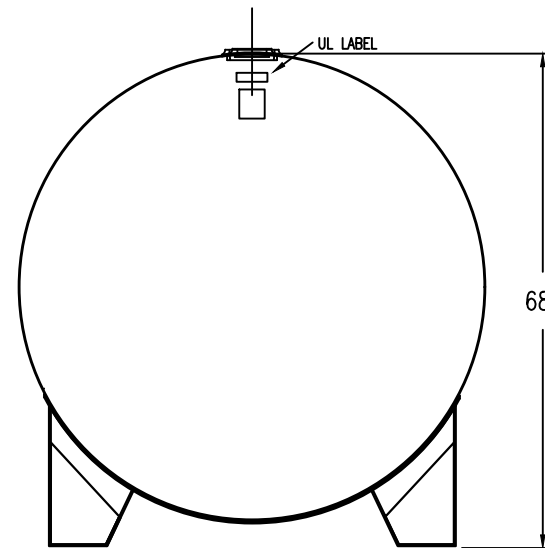
TOP VIEW



LEFT VIEW



FRONT VIEW



RIGHT VIEW

DRAWING APPROVAL:

SIGN: _____

DATE: _____

UNLESS NOTED, TOLERANCES ARE +/- 1-3"



FLANGE OPENING LEGEND	
A	2" NPT FLANGE
B	4" INNER E-VENT
C	-
D	-
E	-
F	-

ALL RIGHTS RESERVED. THIS DRAWING OR ANY PART THEREOF MUST NOT BE REPRODUCED IN ANY FORM UNLESS GIVEN PERMISSION BY A REPRESENTATIVE OF THIS COMPANY

806 Island Ford Road
McGaheysville, VA 22840

Phone 800-522-4980
540-289-5051
FAX 540-289-7592



ATLANTIC
CONTAINMENT



DESCRIPTION: 1000 GALLON ROUND SW HORIZ ON SUPPORTS

CUST: ATLANTIC CONTAINMENT
MATL: CARBON STEEL, 10 GA
WELD: MIG (EXTERNAL ONLY)
TYPE: UL 142 LISTED
CAPACITY: 1,000 GALLONS
WEIGHT: 2150 LBS
EXT. FINISH: PRIMER

DATE: 10/16/20
DWG BY:
DWG NO. AC1KHS64
REV. NO. -

PRELIMINARY DRAWING ONLY