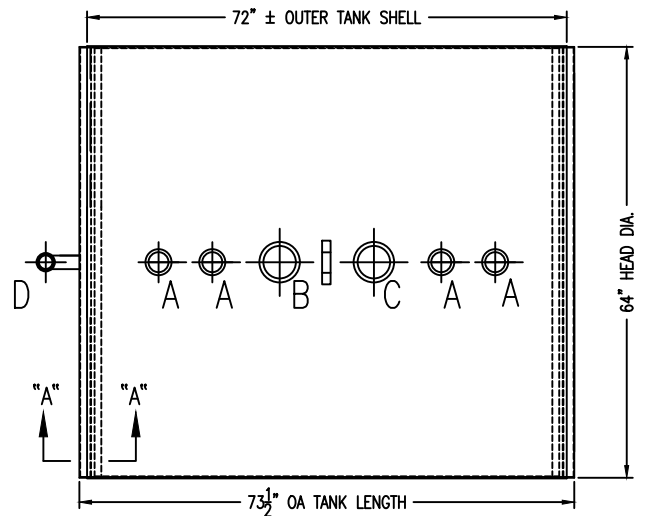
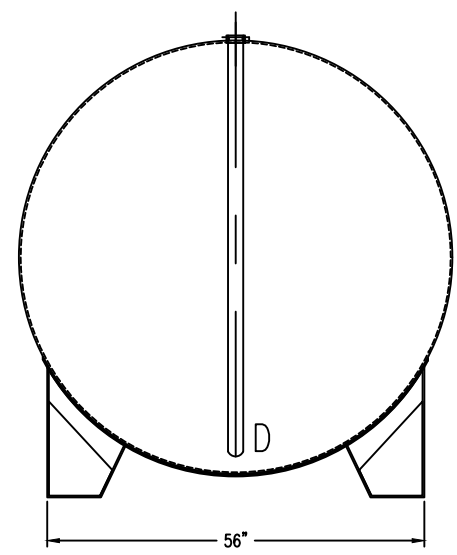


79-3/4" L x 64" W x 68" H O.A. DIM.

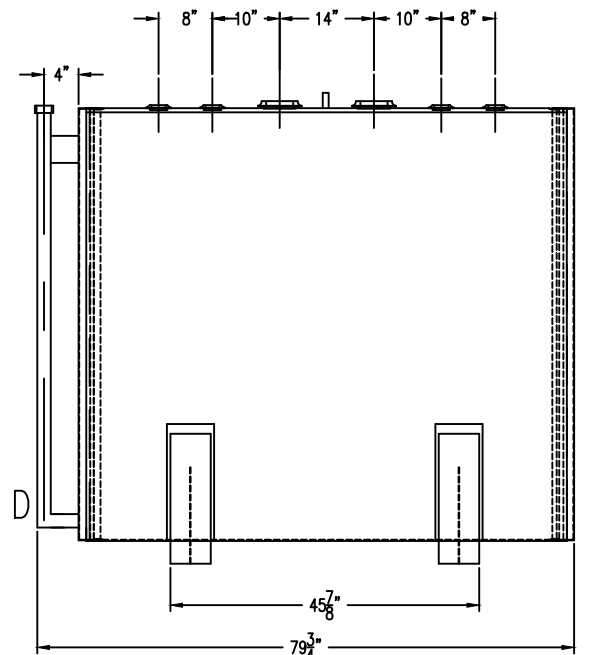
DRAWING REVISIONS			
REV.	DESCRIPTION	DATE	APRVL



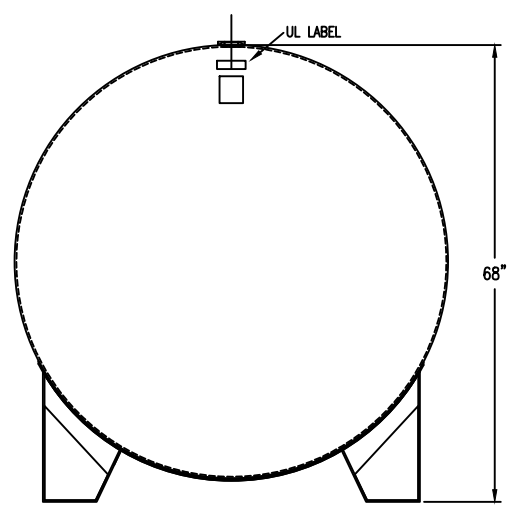
TOP VIEW



LEFT SIDE



FRONT VIEW



RIGHT SIDE

DRAWING APPROVAL:

SIGN: \_\_\_\_\_

DATE: \_\_\_\_\_

UNLESS NOTED, TOLERANCES ARE +/- 1-3"

FLANGE OPENING LEGEND	
A	2" NPT FLANGE
B	6" INNER E-VENT
C	6" OUTER E-VENT
D	2" MONITORING PIPE
E	-
F	-



ALL RIGHTS RESERVED. THIS DRAWING OR ANY PART THEREOF MUST NOT BE REPRODUCED IN ANY FORM UNLESS GIVEN PERMISSION BY A REPRESENTATIVE OF THIS COMPANY

806 Island Ford Road  
McGaheysville, VA 22840  
Phone 800-522-4980  
540-289-5051  
FAX 540-289-7592



**ATLANTIC**  
**CONTAINMENT**



DESCRIPTION: 1,000 GALLON ROUND DW HORIZONTAL ON SUPPORTS

CUST: ATLANTIC CONTAINMENT
MATL: CARBON STEEL, 10 GA
WELD: MIG (EXTERNAL ONLY)
TYPE: UL142 LISTED
CAPACITY: 1000 GALLONS
WEIGHT: 2165LBS
EXT. FINISH: PRIMER

DATE: 02/10/21	DWG BY: NM
DWG NO. AC1KDHS64	REV. NO. -

PRELIMINARY DRAWING ONLY