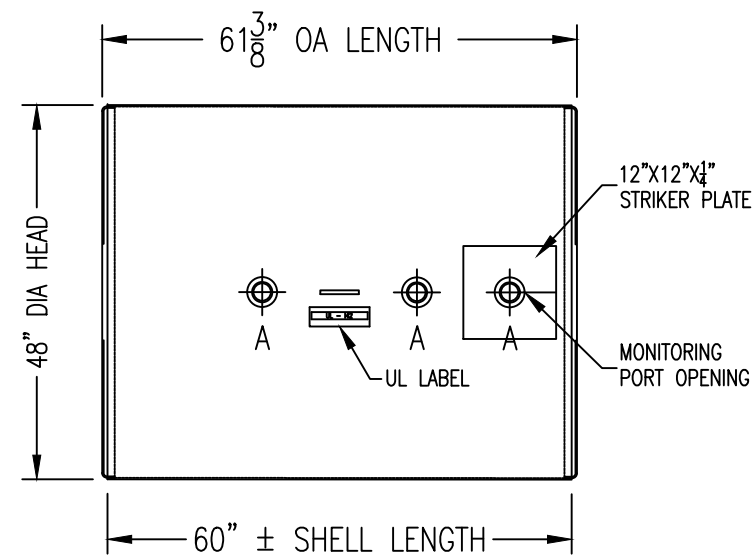


# ASPHALT COATED TANK

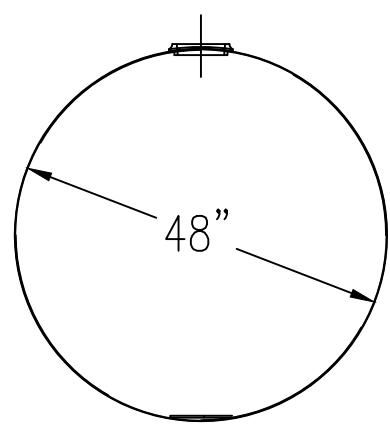
DRAWING REVISIONS			
REV.	DESCRIPTION	DATE	APRVL



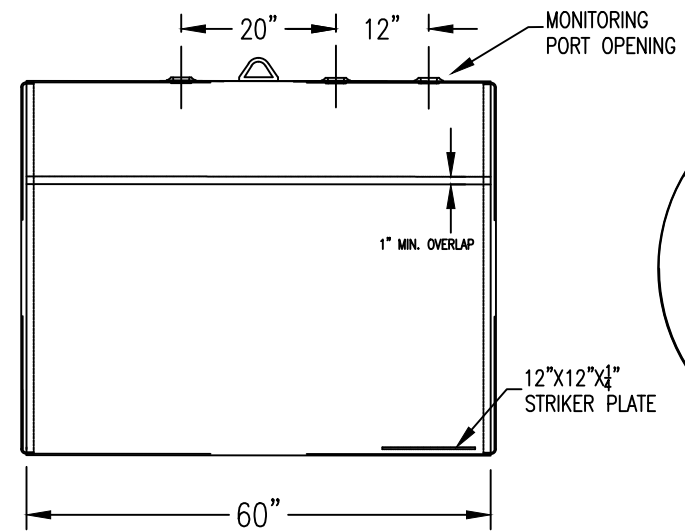
NOTE: NO DRAINS ON UNDERGROUND TANKS

NOTE: NOT FOR GASOLINE USE

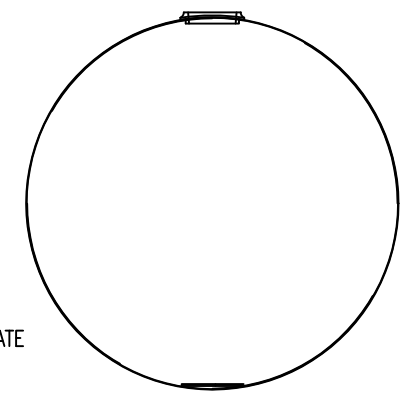
TOP VIEW



LEFT VIEW



FRONT VIEW



RIGHT VIEW

PRELIMINARY DRAWING ONLY

DRAWING APPROVAL:  
SIGN: \_\_\_\_\_  
DATE: \_\_\_\_\_



FLANGE OPENING LEGEND	
A	2" NPT OPENING
B	-
C	-
D	-
E	-
F	-

ALL RIGHTS RESERVED, THIS DRAWING OR ANY PART THEREOF MUST NOT BE REPRODUCED IN ANY FORM UNLESS GIVEN PERMISSION BY A REPRESENTATIVE OF THIS COMPANY

806 Island Ford Road  
McGaheysville, VA 22840

Phone 800-522-4980  
540-289-5051  
FAX 540-289-7592

## ATLANTIC CONTAINMENT

UL LISTED

DESCRIPTION: 500 GALLON UA SW TANK - 10GA

CUST: ATLANTIC CONTAINMENT	DATE: 04/28/20	DWG BY: NM
MATL: CARBON STEEL, 10 GA		
WELD: MIG (EXTERNAL ONLY)		
TYPE: UL58 LISTED	DWG NO. AC500-10UA	REV. NO. -
CAPACITY: 500 GALLON		
WEIGHT: 580 LBS		
EXT. FINISH: ASPHALT		