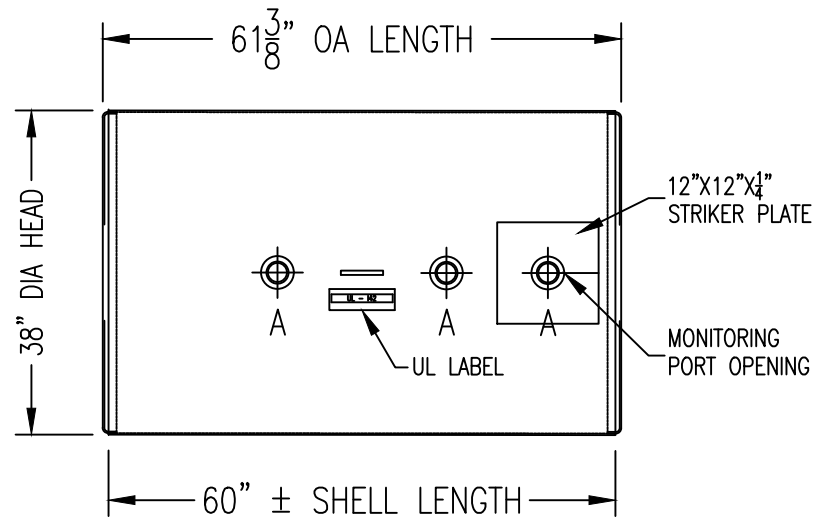


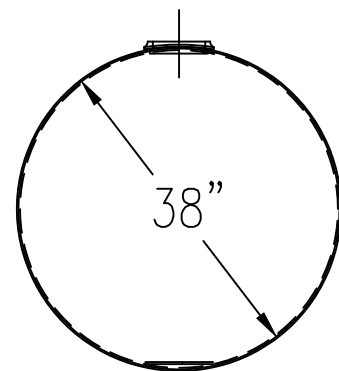
ASPHALT COATED TANK



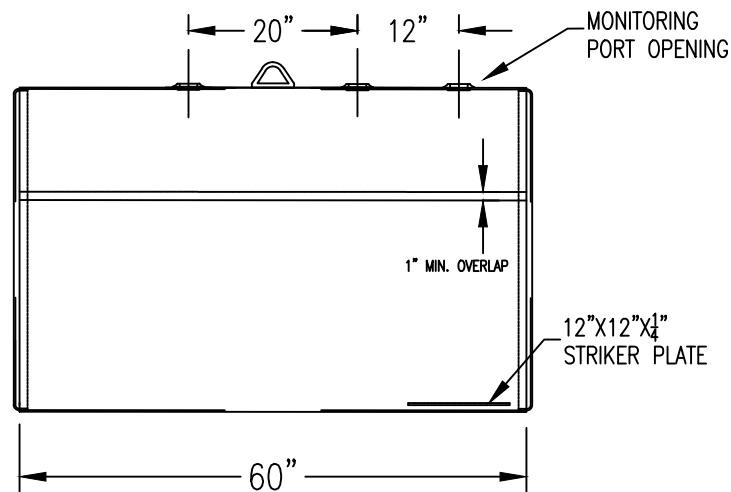
TOP VIEW

NOTE: NO DRAINS ON UNDERGROUND TANKS

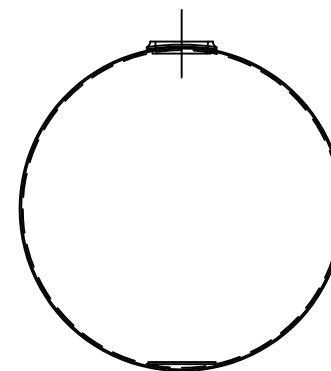
NOTE: NOT FOR GASOLINE USE



LEFT VIEW



FRONT VIEW



RIGHT VIEW

PRELIMINARY DRAWING ONLY

DRAWING REVISIONS			
REV.	DESCRIPTION	DATE	APRVL

DRAWING APPROVAL:

SIGN: _____

DATE: _____



FLANGE OPENING LEGEND	
A	2" NPT OPENING
B	-
C	-
D	-
E	-
F	-

ALL RIGHTS RESERVED, THIS DRAWING OR ANY PART THEREOF MUST NOT BE REPRODUCED IN ANY FORM UNLESS GIVEN PERMISSION BY A REPRESENTATIVE OF THIS COMPANY

806 Island Ford Road
McGaheysville, VA 22840

Phone 800-522-4980
540-289-5051
FAX 540-289-7592

ATLANTIC CONTAINMENT

UL LISTED

DESCRIPTION: 300 GALLON UA SW TANK - 10GA

CUST: ATLANTIC CONTAINMENT	DATE: 04/28/20	DWG BY: NM
MATL: CARBON STEEL, 10 GA		
WELD: MIG (EXTERNAL ONLY)		
TYPE: UL 142 LISTED		
CAPACITY: 300 GALLON	DWG NO. AC300-10UA	REV. NO. -
WEIGHT: 440 LBS		
EXT. FINISH: ASPHALT		