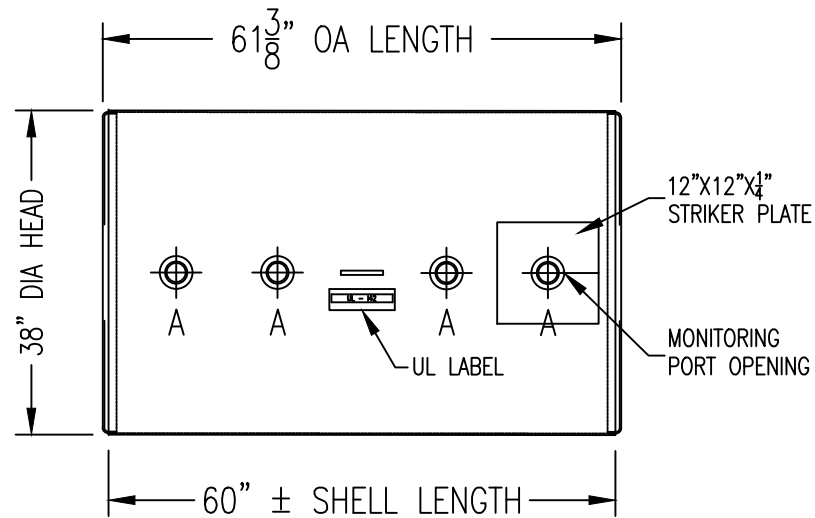


ASPHALT COATED TANK

DRAWING REVISIONS			
REV.	DESCRIPTION	DATE	APRVL



NOTE: NO DRAINS ON UNDERGROUND TANKS

DRAWING APPROVAL:
SIGN: _____
DATE: _____

TOP VIEW

FLANGE OPENING LEGEND	
A	2" NPT OPENING
B	-
C	-
D	-
E	-
F	-

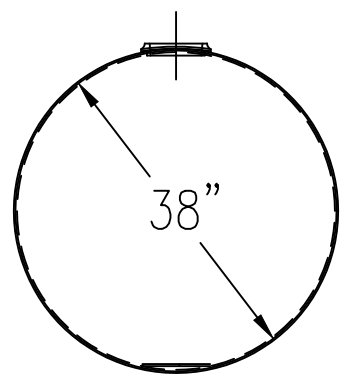


ALL RIGHTS RESERVED, THIS DRAWING OR ANY PART THEREOF MUST NOT BE REPRODUCED IN ANY FORM UNLESS GIVEN PERMISSION BY A REPRESENTATIVE OF THIS COMPANY

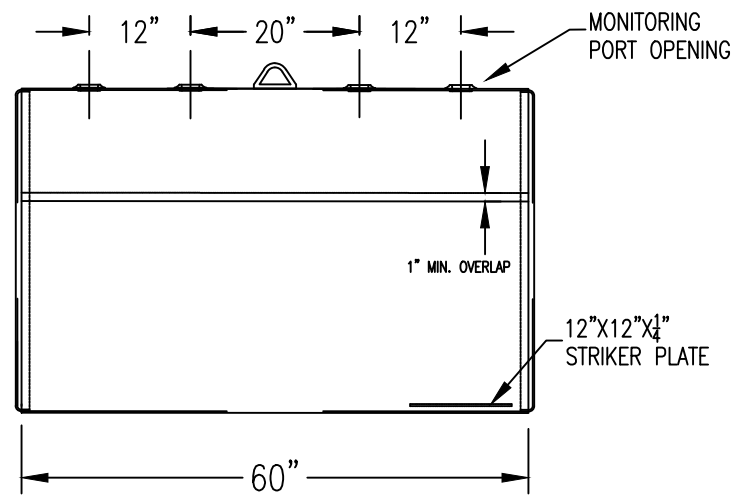
806 Island Ford Road
McGaheysville, VA 22840
Phone 800-522-4980
540-289-5051
FAX 540-289-7592



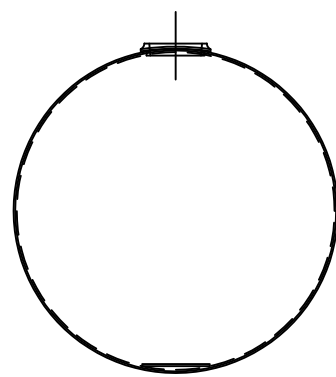
DESCRIPTION: 300 GALLON UA SW TANK - 7GA	
CUST: ATLANTIC CONTAINMENT	DATE: 04/28/20
MATL: CARBON STEEL, 7 GA	DWG BY: NM
WELD: MIG (EXTERNAL ONLY)	
TYPE: UL 142 LISTED	DWG NO. AC300-07UA
CAPACITY: 300 GALLON	REV. NO. -
WEIGHT: 575 LBS	
EXT. FINISH: ASPHALT	



LEFT VIEW



FRONT VIEW



RIGHT VIEW

PRELIMINARY DRAWING ONLY