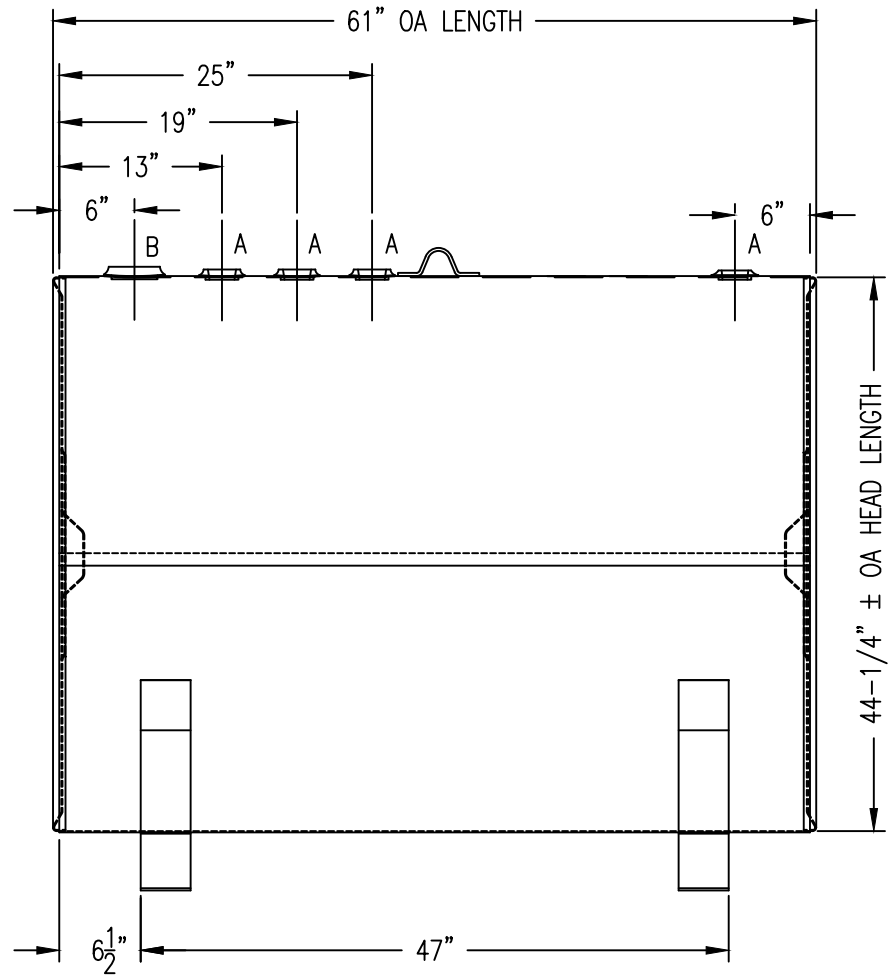
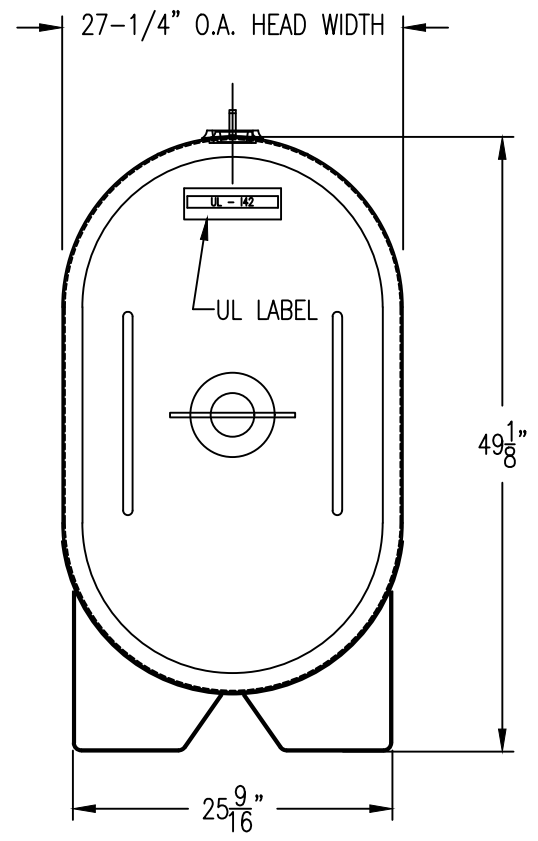


DRAWING REVISIONS			
REV.	DESCRIPTION	DATE	APRVL



FRONT VIEW



END VIEW

**DRAWING APPROVAL:**  
 SIGN: \_\_\_\_\_  
 DATE: \_\_\_\_\_

FLANGE OPENING LEGEND	
A	2" NPT FLANGE
B	3" INNER E-VENT
C	-
D	-
E	-
F	-



ALL RIGHTS RESERVED. THIS DRAWING OR ANY PART THEREOF MUST NOT BE REPRODUCED IN ANY FORM UNLESS GIVEN PERMISSION BY A REPRESENTATIVE OF THIS COMPANY

806 Island Ford Road  
 McGaheysville, VA 22840  
 Phone 800-522-4980  
 540-289-5051  
 FAX 540-289-7592



**ATLANTIC**  
**CONTAINMENT**



DESCRIPTION: 275 GALLON SW OBOURD VERTICAL

CUST: ATLANTIC CONTAINMENT	DATE: 06/25/19	DWG BY: NM
MATL: CARBON STEEL, 12 GA		
WELD: MIG (EXTERNAL ONLY)		
TYPE: UL 142 LISTED	DWG NO. AC275VLU	REV. NO. -
CAPACITY: 275 GALLONS		
WEIGHT: 320 LBS		
EXT. FINISH: PRIMER		

PRELIMINARY DRAWING ONLY