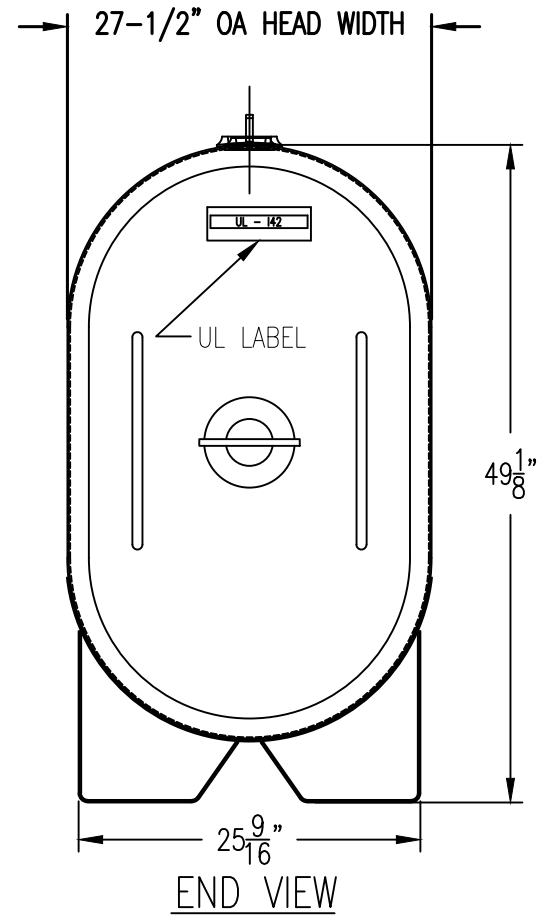
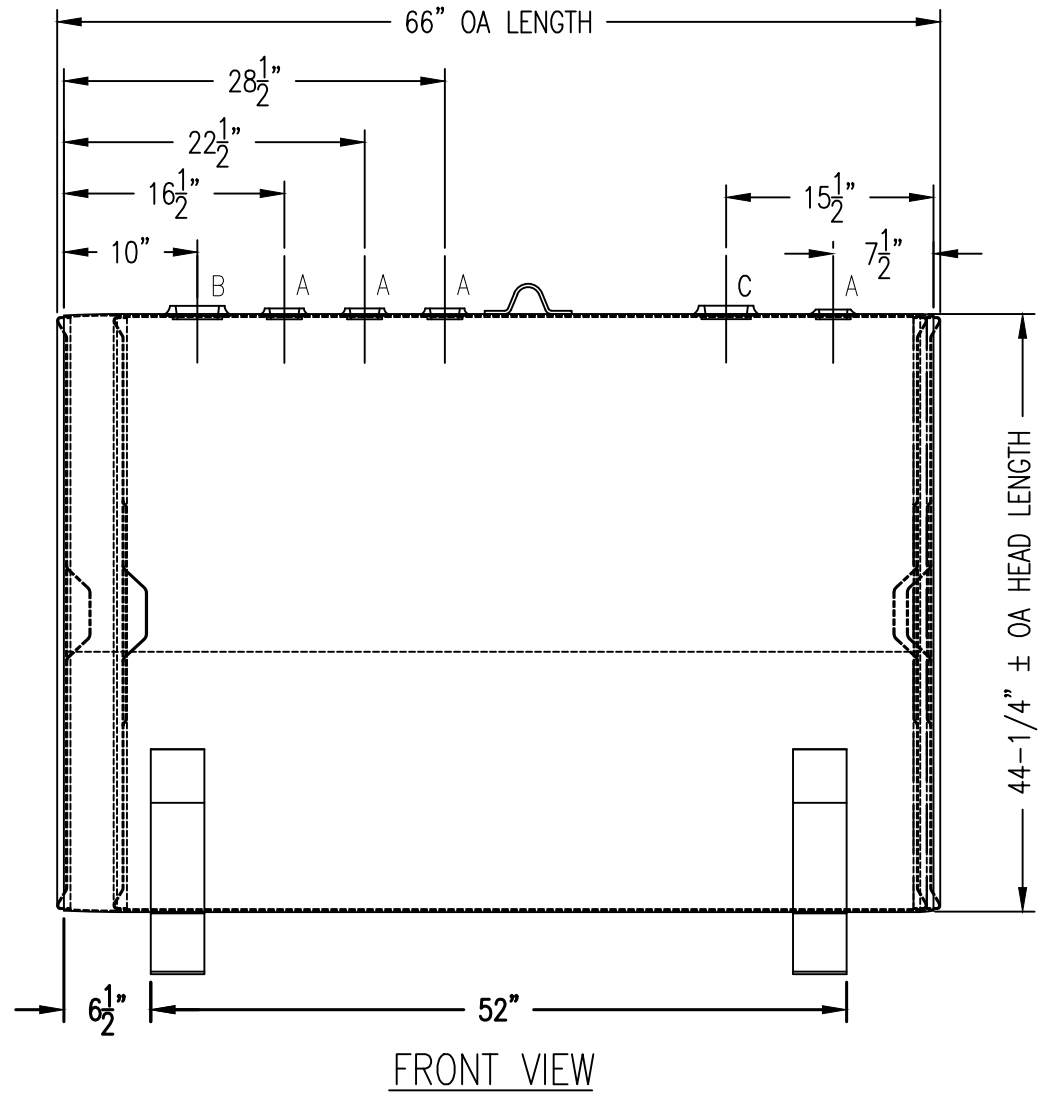


DRAWING REVISIONS			
REV.	DESCRIPTION	DATE	APRVL



DRAWING APPROVAL:
SIGN: _____
DATE: _____



FLANGE OPENING LEGEND	
A	2" NPT FLANGE
B	3" INNER E-VENT
C	3" OUTER E-VENT
D	-
E	-
F	-

ALL RIGHTS RESERVED. THIS DRAWING OR ANY PART THEREOF MUST NOT BE REPRODUCED IN ANY FORM UNLESS GIVEN PERMISSION BY A REPRESENTATIVE OF THIS COMPANY.

806 Island Ford Road
McGaheysville, VA 22840
Phone 800-522-4980
540-289-5051
FAX 540-289-7592



CONTAINMENT
DESCRIPTION: 275 GALLON DW OBOUNDRY VERTICAL

CUST: ATLANTIC CONTAINMENT	DATE: 06/26/19	DWG BY: NM
MATL: CARBON STEEL, 12 GA		
WELD: MIG (EXTERNAL ONLY)		
TYPE: UL 142 LISTED	DWG NO. AC275VLD	REV. NO. -
CAPACITY: 275 GALLONS		
WEIGHT: 580LBS		
EXT. FINISH: PRIMER		

PRELIMINARY DRAWING ONLY