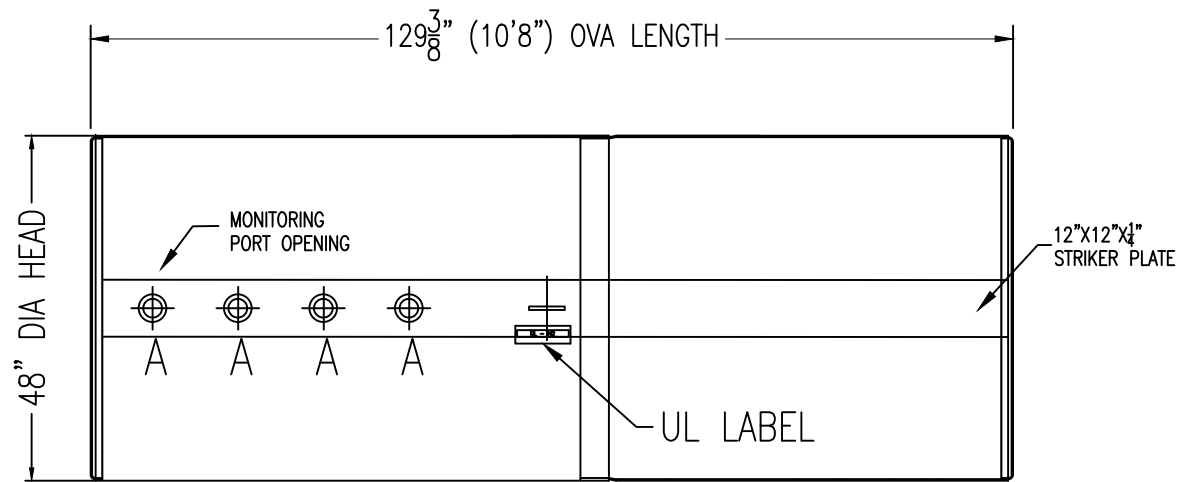


ASPHALT COATED TANK

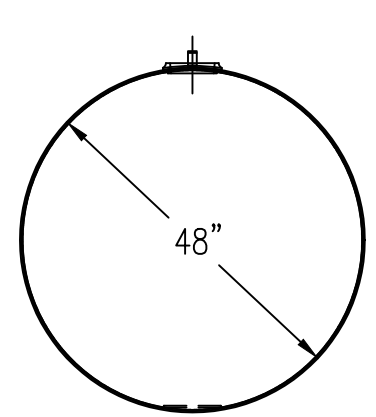
DRAWING REVISIONS			
REV.	DESCRIPTION	DATE	APRVL



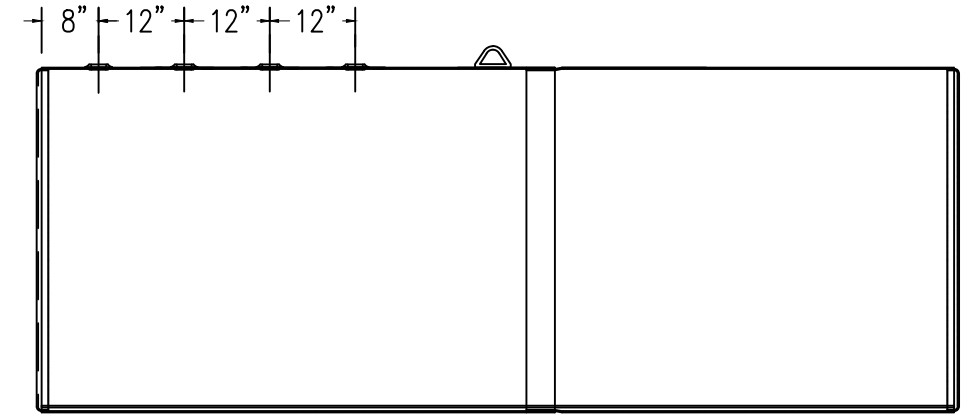
TOP VIEW

NOTE: NO DRAINS ON UNDERGROUND TANKS

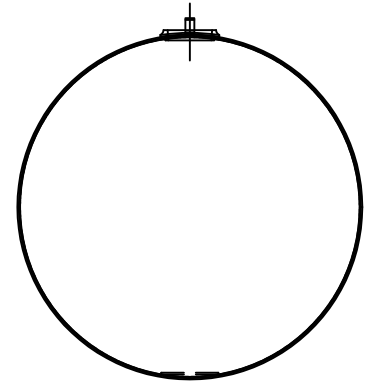
DRAWING APPROVAL:
 SIGN: _____
 DATE: _____



LEFT VIEW



FRONT VIEW



RIGHT VIEW

FLANGE OPENING LEGEND	
A	2" NPT OPENING
B	-
C	-
D	-
E	-
F	-



PRELIMINARY DRAWING ONLY

ALL RIGHTS RESERVED. THIS DRAWING OR ANY PART THEREOF MUST NOT BE REPRODUCED IN ANY FORM UNLESS GIVEN PERMISSION BY A REPRESENTATIVE OF THIS COMPANY

806 Island Ford Road
 McGeheysville, VA 22840

Phone 800-522-4980
 540-289-5051
 FAX 540-289-7592

ATLANTIC CONTAINMENT

DESCRIPTION: 1,000 GALLON ROUND UA SW TANK - 7GA

CUST: ATLANTIC CONTAINMENT	DATE:	DWG BY:
MATL: CARBON STEEL, 7GA	04/28/20	NM
WELD: MIG (EXTERNAL ONLY)	DWG NO.	REV. NO.
TYPE: UL58 LISTED	AC1K-07UA	-
CAPACITY: 1,000 GALLONS		
WEIGHT: 1,324 LBS		
EXT. FINISH: ASPHALT		