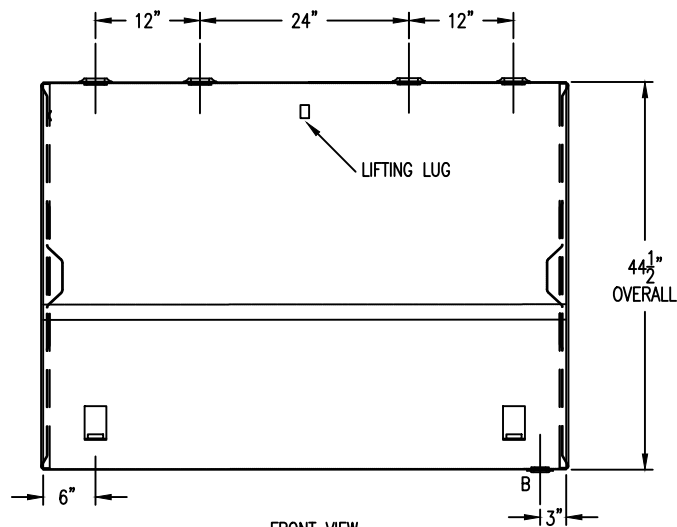
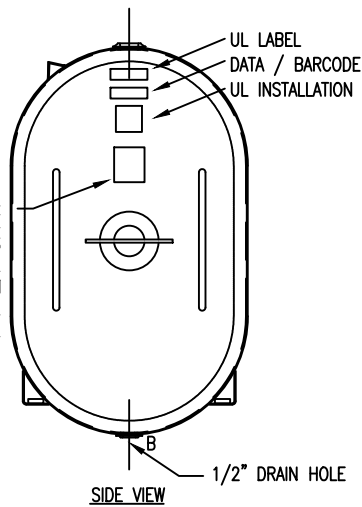


TOP VIEW



FRONT VIEW



SIDE VIEW

WARRANTY LABEL  
CENTER LABEL IN LINE  
WITH FITTINGS  
ALIGN TEXT SO LABEL  
IS READABLE FROM  
SAME SIDE AS UL  
LABEL

UL LABEL  
DATA / BARCODE  
UL INSTALLATION

PRELIMINARY DRAWING ONLY

DRAWING REVISIONS			
REV.	DESCRIPTION	DATE	APRVL

DRAWING APPROVAL:

SIGN: \_\_\_\_\_

DATE: \_\_\_\_\_

PIPE LEGS AND FEET NOT INCLUDED, SOLD SEPARATELY  
THREADED RUBBER SEALED CAPS INCLUDED

FLANGE OPENING LEGEND	
A	2" NPT FLANGE
B	1/2" NPT FLANGE
C	-
D	-
E	-
F	-

ALL RIGHTS RESERVED. THIS DRAWING OR ANY PART THEREOF MUST NOT BE REPRODUCED IN ANY FORM UNLESS GIVEN PERMISSION BY A REPRESENTATIVE OF THIS COMPANY

806 Island Ford Road  
McGaheysville, VA 22840

Phone 800-522-4980  
540-289-5051  
FAX 540-289-7592



**ATLANTIC**  
**CONTAINMENT**

DESCRIPTION: 275 OBROUND SW VERT HEATING OIL LUG STYLE

CUST: ATLANTIC CONTAINMENT
MATL: CARBON STEEL, 12 GA
WELD: MIG (EXTERNAL ONLY)
TYPE: UL 142 LISTED
CAPACITY: 275 GALLONS
WEIGHT: 280 LBS
EXT. FINISH: BLACK OR GRAY URETHANE

DATE: 02/05/21	DWG BY: NM
DWG NO. AC275VHO	REV. NO. -