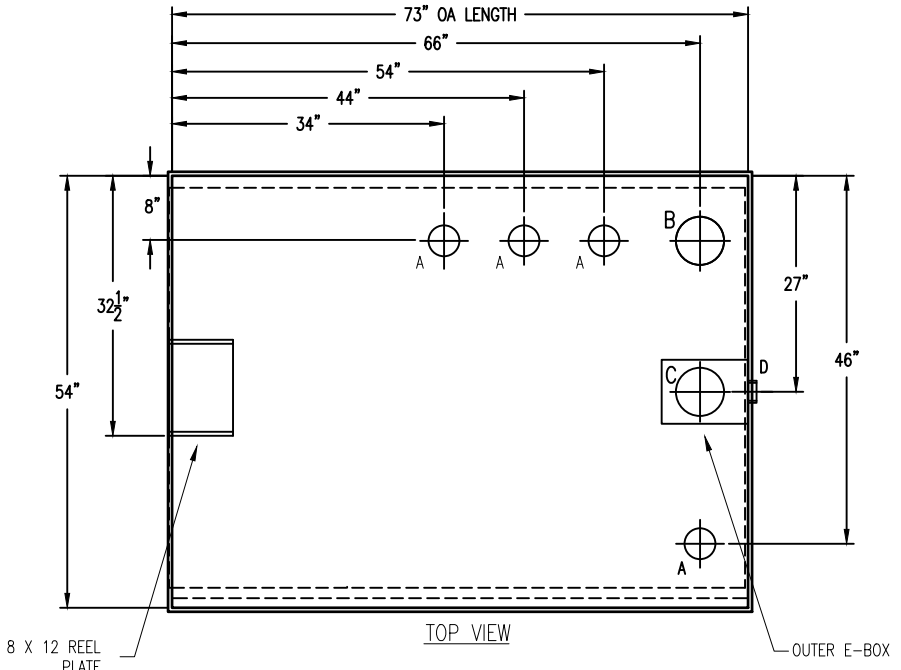
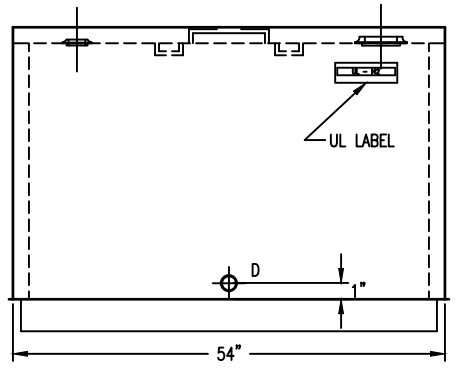
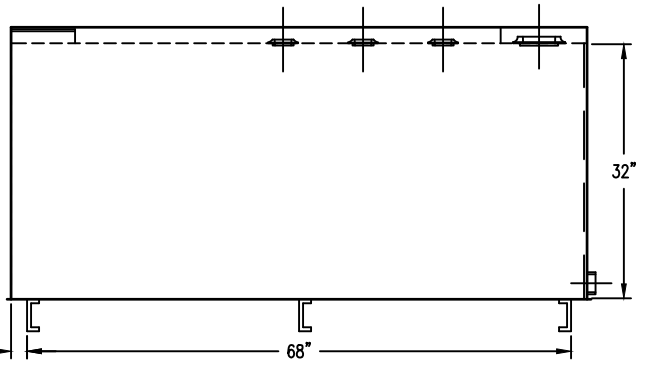
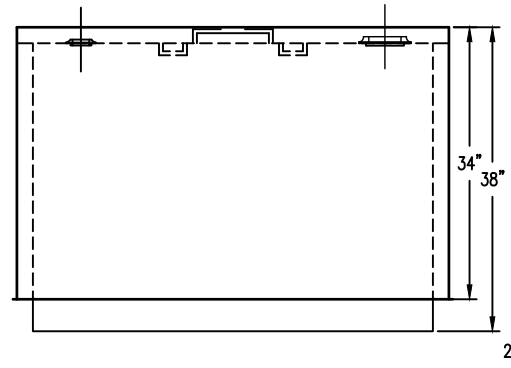


DRAWING REVISIONS			
REV.	DESCRIPTION	DATE	APRVL



**DRAWING APPROVAL:**  
SIGN: \_\_\_\_\_  
DATE: \_\_\_\_\_

FLANGE OPENING LEGEND	
A	2" NPT FLANGE
B	4" INNER E-VENT
C	4" OUTER E-VENT
D	1/2" MONITORING FLANGE
E	-
F	-



ALL RIGHTS RESERVED. THIS DRAWING OR ANY PART THEREOF MUST NOT BE REPRODUCED IN ANY FORM UNLESS GIVEN PERMISSION BY A REPRESENTATIVE OF THIS COMPANY

806 Island Ford Road Phone 800-522-4980  
McGaheysville, VA 22840 540-289-5051  
FAX 540-289-7592



**ATLANTIC**  
**CONTAINMENT**



DESCRIPTION: 500 GALLON DW BENCH TANK - IC

CUST: ATLANTIC CONTAINMENT	DATE: 08/27/19	DWG BY: NM
MATL: CARBON STEEL, 12 GA		
WELD: MIG (EXTERNAL ONLY)		
TYPE: UL 142 LISTED	DWG NO.	REV. NO.
CAPACITY: 500 GALLONS	<b>AC500DW</b>	-
WEIGHT: 1105 LBS		
EXT. FINISH: PRIMER		

**PRELIMINARY DRAWING ONLY**