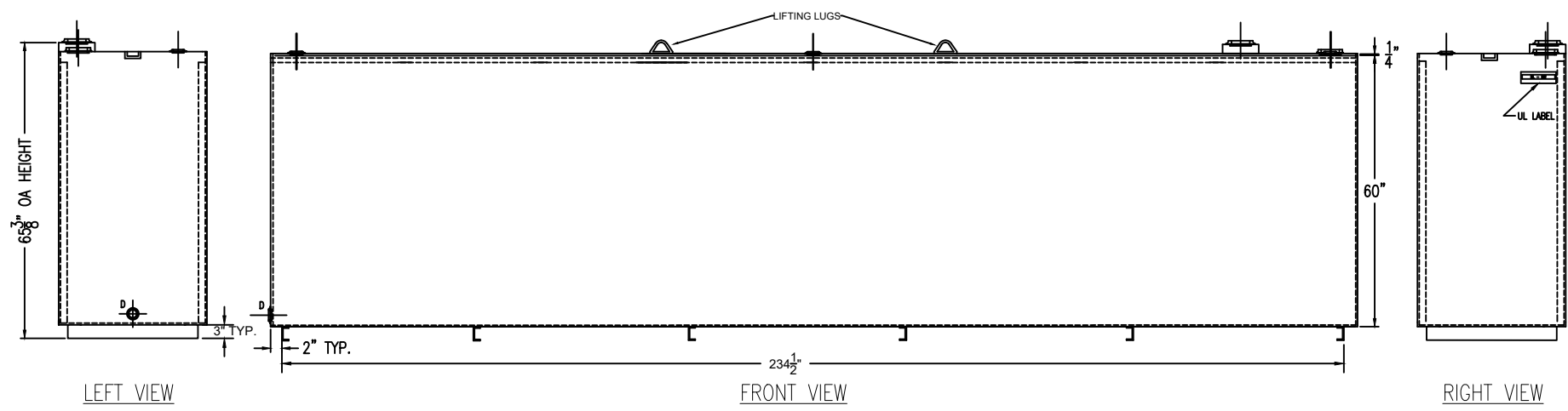
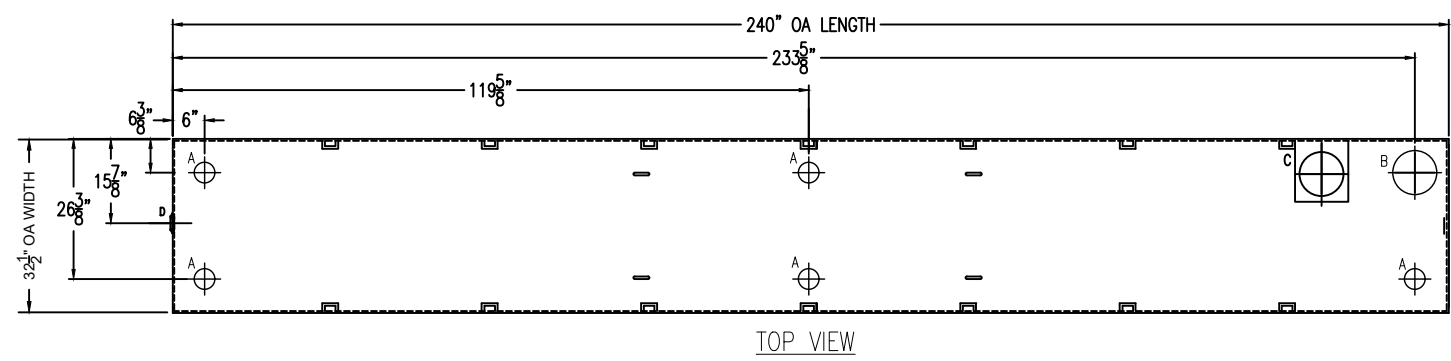


DRAWING REVISIONS			
REV.	DESCRIPTION	DATE	APRVL

DRAWING APPROVAL:
SIGN: _____
DATE: _____



FLANGE OPENING LEGEND	
A	2" NPT FLANGE
B	6" INNER E-VENT
C	6" OUTER E-VENT EBOX
D	1/2" MONITORING FLANGE
E	-
F	-



ALL RIGHTS RESERVED. THIS DRAWING OR ANY PART THEREOF MUST NOT BE REPRODUCED IN ANY FORM UNLESS GIVEN PERMISSION BY A REPRESENTATIVE OF THIS COMPANY

806 Island Ford Road
McGaheysville, VA 22840
Phone 800-522-4980
540-289-5051
FAX 540-289-7592



DESCRIPTION: 2000 GALLON DW LUBE TANK - IC

CUST: ATLANTIC CONTAINMENT	DATE: 08/27/19	DWG BY: NM
MATL: CARBON STEEL, 10 GA		
WELD: MIG (EXTERNAL ONLY)		
TYPE: UL 142 LISTED	DWG NO.	REV. NO.
CAPACITY: 2000 GALLONS		
WEIGHT: 3600 LBS		
EXT. FINISH: PRIMER		
	AC2KDL-IC	-

PRELIMINARY DRAWING ONLY