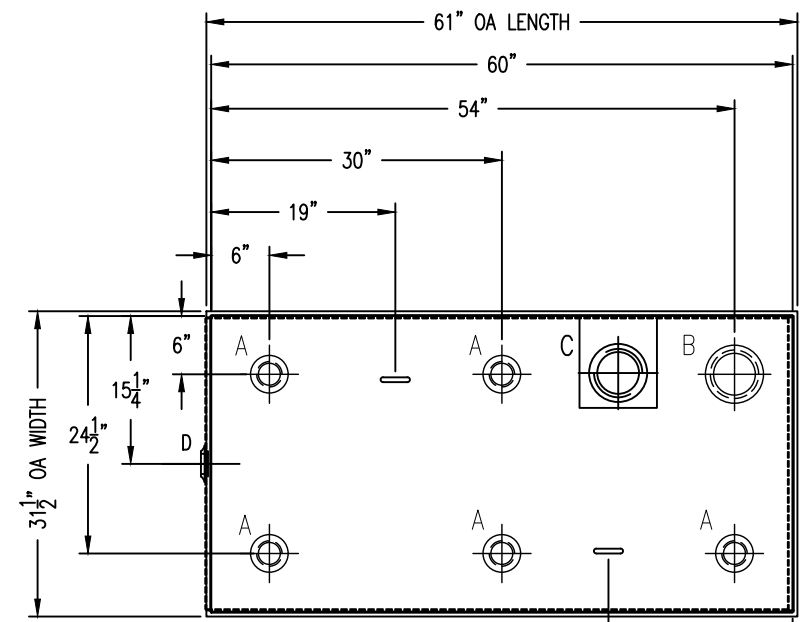
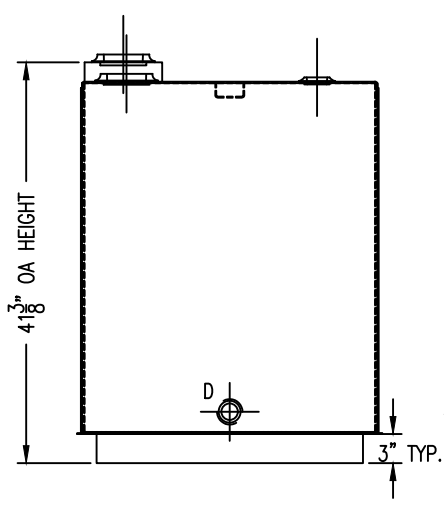


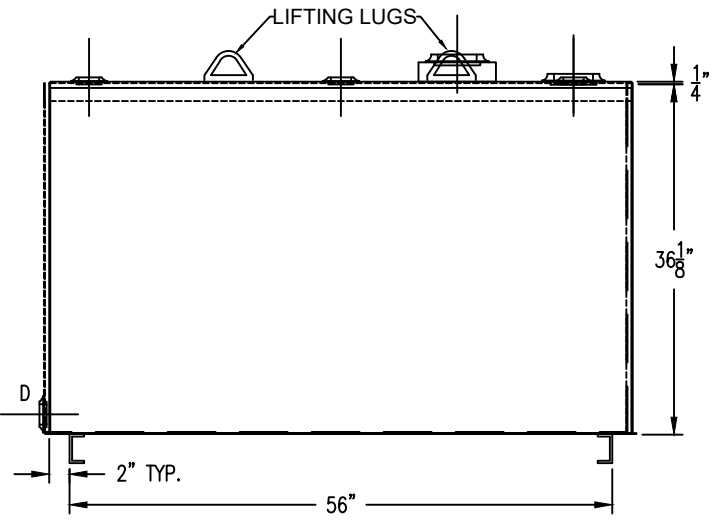
DRAWING REVISIONS			
REV.	DESCRIPTION	DATE	APRVL



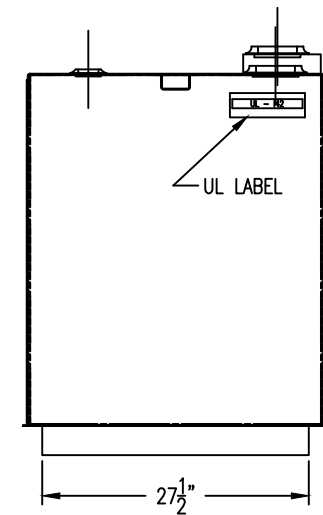
TOP VIEW



LEFT VIEW



FRONT VIEW



RIGHT VIEW

DRAWING APPROVAL:
SIGN: _____
DATE: _____

FLANGE OPENING LEGEND	
A	2" NPT FLANGE
B	3" INNER E-VENT
C	3" OUTER E-VENT EBOX
D	1/2" MONITORING FLANGE
E	-
F	-



ALL RIGHTS RESERVED, THIS DRAWING OR ANY PART THEREOF MUST NOT BE REPRODUCED IN ANY FORM UNLESS GIVEN PERMISSION BY A REPRESENTATIVE OF THIS COMPANY

806 Island Ford Road
McGaheysville, VA 22840
Phone 800-522-4980
540-289-5051
FAX 540-289-7592



ATLANTIC
CONTAINMENT



DESCRIPTION: 280 GALLON DW LUBE TANK - IC

CUST: ATLANTIC CONTAINMENT
MATL: CARBON STEEL, 12 GA
WELD: MIG (EXTERNAL ONLY)
TYPE: UL 142 LISTED
CAPACITY: 280 GALLONS
WEIGHT: 630 LBS
EXT. FINISH: PRIMER

DATE: 08/27/19	DWG BY: NM
DWG NO. AC280DL-IC	REV. NO. -

PRELIMINARY DRAWING ONLY