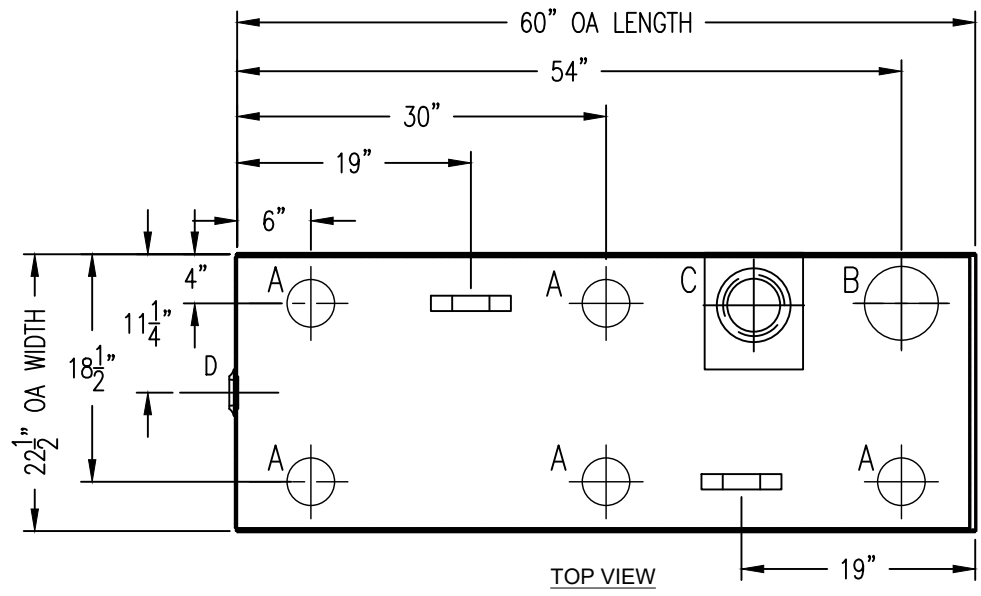
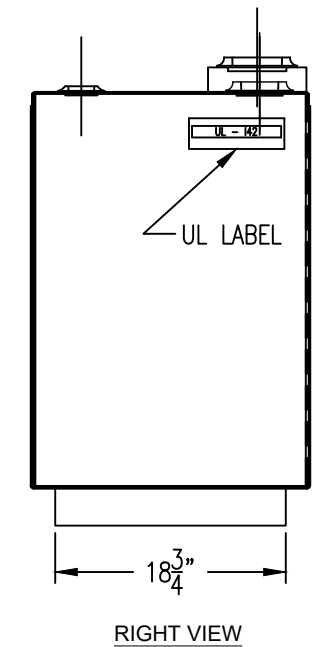
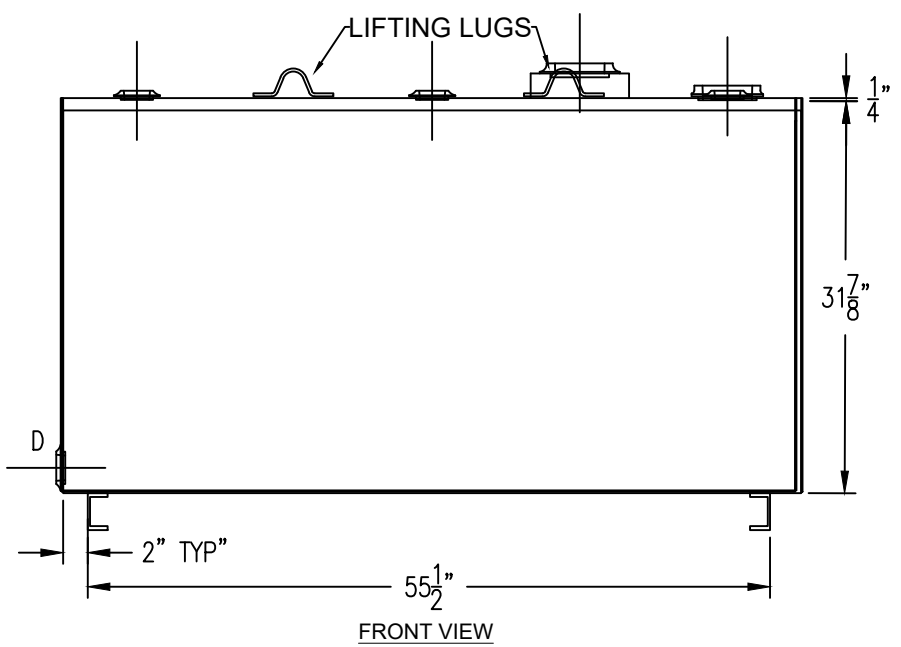
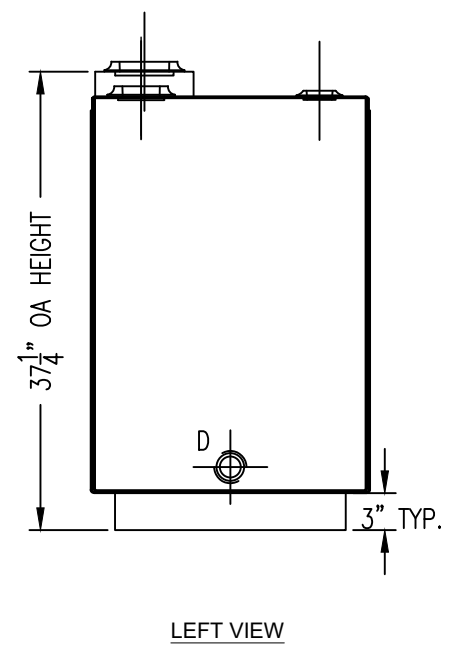


DRAWING REVISIONS			
REV.	DESCRIPTION	DATE	APRVL



**DRAWING APPROVAL:**  
SIGN: \_\_\_\_\_  
DATE: \_\_\_\_\_



FLANGE OPENING LEGEND	
A	2" NPT FLANGE
B	3" INNER E-VENT
C	3" OUTER E-VENT EBOX
D	1/2" MONITORING FLANGE
E	-
F	-

**PRELIMINARY DRAWING ONLY**

**ALL RIGHTS RESERVED**, THIS DRAWING OR ANY PART THEREOF MUST NOT BE REPRODUCED IN ANY FORM UNLESS GIVEN PERMISSION BY A REPRESENTATIVE OF THIS COMPANY

806 Island Ford Road  
McGaheysville, VA 22840  
Phone 800-522-4980  
540-289-5051  
FAX 540-289-7592

**ATLANTIC**  
**CONTAINMENT**

DESCRIPTION: 180 GALLON DW LUBE TANK - IC

CUST: ATLANTIC CONTAINMENT	DATE: 08/27/19	DWG BY: NM
MATL: CARBON STEEL, 12 GA		
WELD: MIG (EXTERNAL ONLY)		
TYPE: UL 142 LISTED		
CAPACITY: 180 GALLONS	DWG NO.	REV. NO.
WEIGHT: 565 LBS	<b>AC180DL-IC</b>	-
EXT. FINISH: PRIMER		