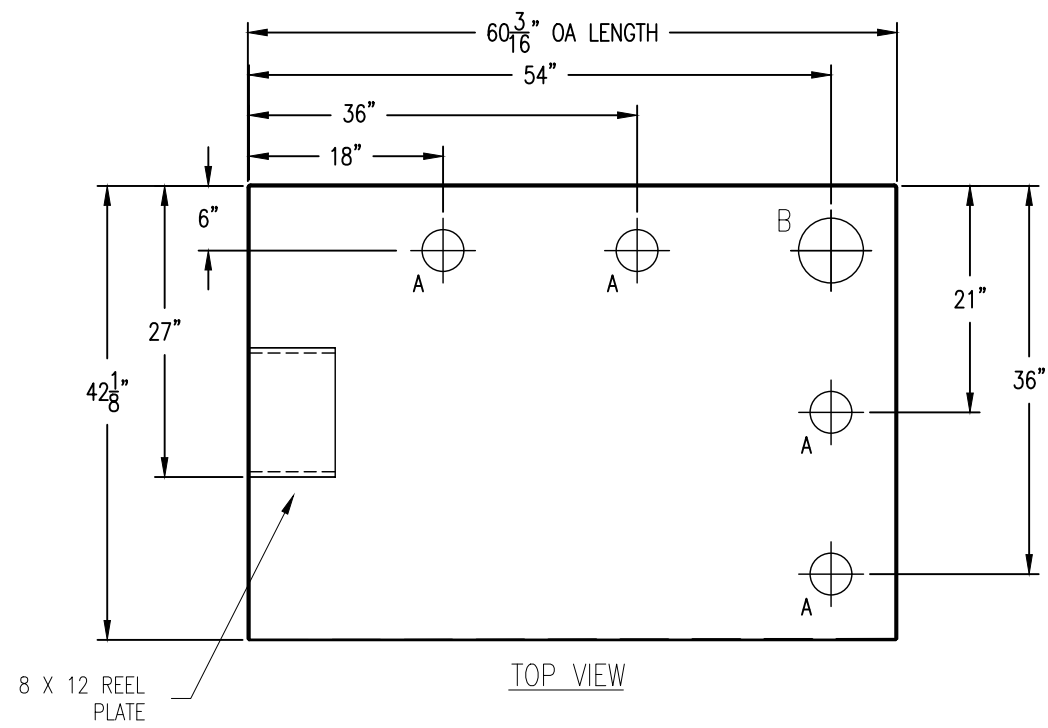
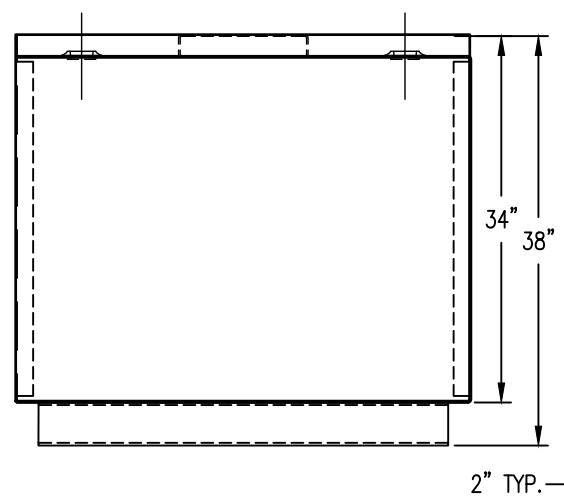


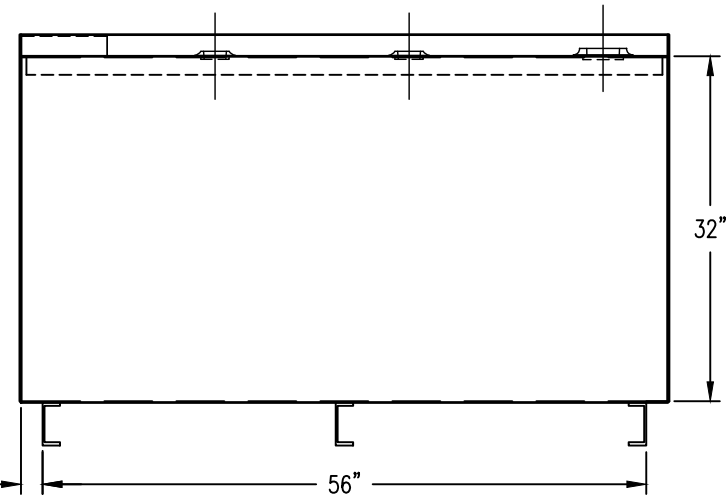
DRAWING REVISIONS			
REV.	DESCRIPTION	DATE	APRVL



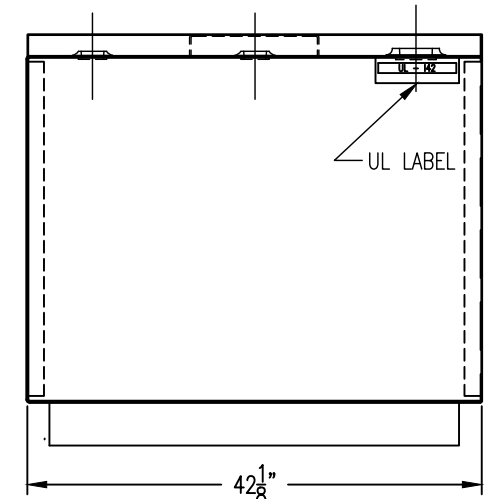
TOP VIEW



LEFT VIEW



FRONT VIEW



RIGHT VIEW

DRAWING APPROVAL:  
SIGN: \_\_\_\_\_  
DATE: \_\_\_\_\_

FLANGE OPENING LEGEND	
A	2" NPT FLANGE
B	3" INNER E-VENT
C	-
D	-
E	-
F	-



ALL RIGHTS RESERVED. THIS DRAWING OR ANY PART THEREOF MUST NOT BE REPRODUCED IN ANY FORM UNLESS GIVEN PERMISSION BY A REPRESENTATIVE OF THIS COMPANY

806 Island Ford Road  
McGaheysville, VA 22840  
Phone 800-522-4980  
540-289-5051  
FAX 540-289-7592



**ATLANTIC**  
**CONTAINMENT**



DESCRIPTION: 350 GALLON SW BENCH TANK

CUST: ATLANTIC CONTAINMENT
MATL: CARBON STEEL, 12 GA
WELD: MIG (EXTERNAL ONLY)
TYPE: UL 142 LISTED
CAPACITY: 350 GALLONS
WEIGHT: 470 LBS
EXT. FINISH: PRIMER

DATE: 07/08/19	DWG BY: NM
DWG NO. AC350SW	REV. NO. -

PRELIMINARY DRAWING ONLY