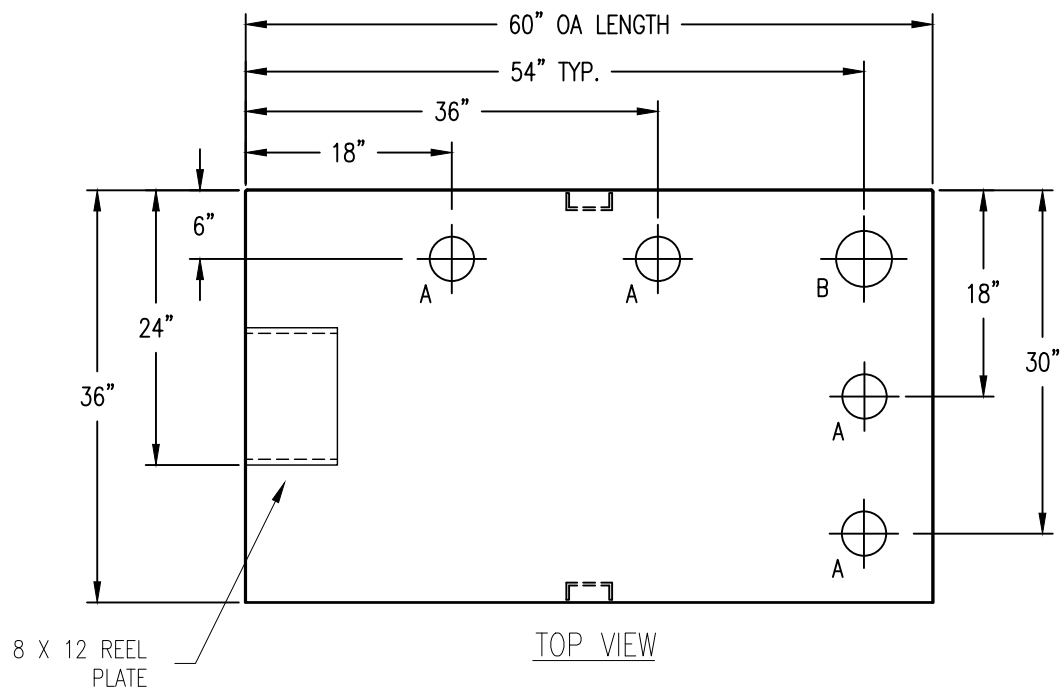
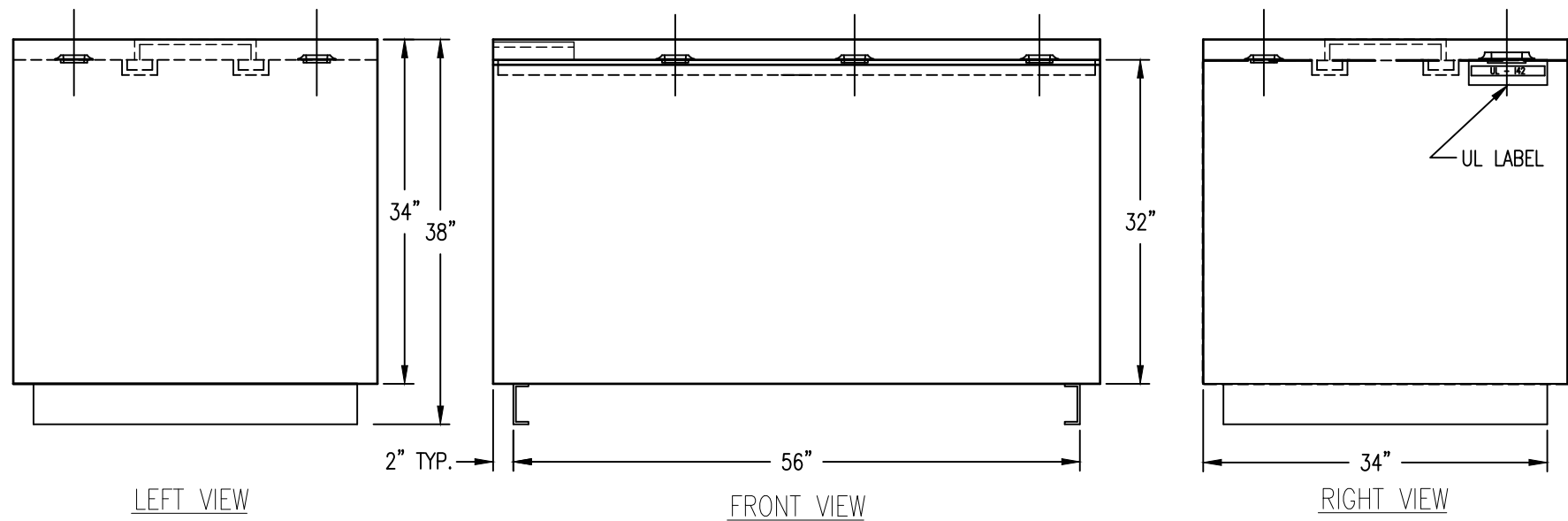


DRAWING REVISIONS			
REV.	DESCRIPTION	DATE	APRVL



DRAWING APPROVAL:  
SIGN: \_\_\_\_\_  
DATE: \_\_\_\_\_



FLANGE OPENING LEGEND	
A	2" NPT FLANGE
B	3" INNER E-VENT
C	-
D	-
E	-
F	-



ALL RIGHTS RESERVED, THIS DRAWING OR ANY PART THEREOF MUST NOT BE REPRODUCED IN ANY FORM UNLESS GIVEN PERMISSION BY A REPRESENTATIVE OF THIS COMPANY

806 Island Ford Road  
McGaheysville, VA 22840  
Phone 800-522-4980  
540-289-5051  
FAX 540-289-7592



DESCRIPTION: 300 GALLON SW BENCH TANK

CUST: ATLANTIC CONTAINMENT	DATE: 07/08/19	DWG BY: NM
MATL: CARBON STEEL, 12 GA		
WELD: MIG (EXTERNAL ONLY)		
TYPE: UL 142 LISTED	DWG NO. AC300SW	REV. NO. -
CAPACITY: 300 GALLONS		
WEIGHT: 390LBS		
EXT. FINISH: PRIMER		

PRELIMINARY DRAWING ONLY