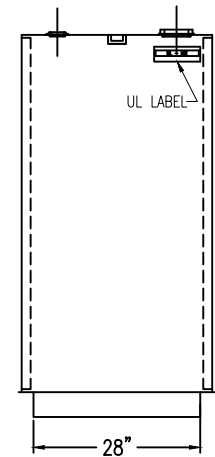
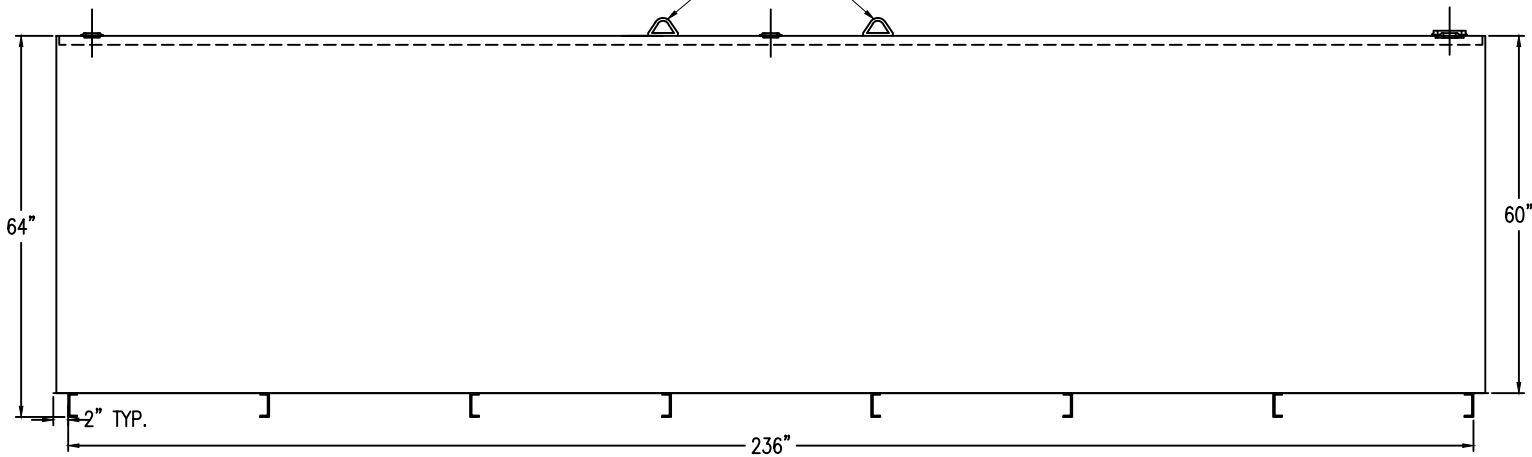
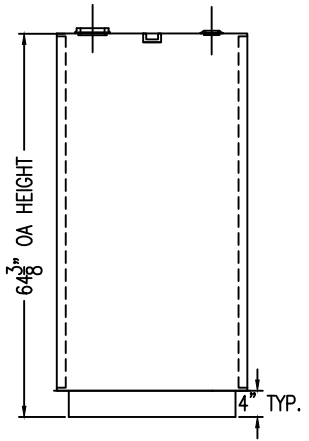
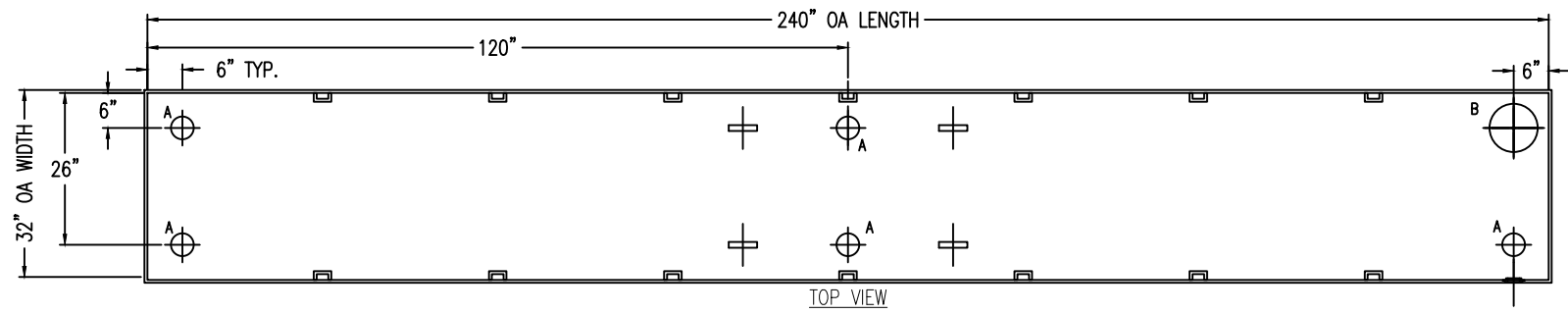


REV.	DESCRIPTION	DATE	APRVL

DRAWING APPROVAL:

SIGN: _____

DATE: _____



FLANGE OPENING LEGEND	
A	2" NPT FLANGE
B	6" INNER E-VENT
C	-
D	-
E	-
F	-

RIGHT VIEW

FRONT VIEW

LEFT VIEW

PRELIMINARY DRAWING ONLY

ALL RIGHTS RESERVED. THIS DRAWING OR ANY PART THEREOF MUST NOT BE REPRODUCED IN ANY FORM UNLESS GIVEN PERMISSION BY A REPRESENTATIVE OF THIS COMPANY.

806 Island Ford Road
McGaheysville, VA 22840
Phone 800-522-4980
540-289-5051
FAX 540-289-7592



ATLANTIC
CONTAINMENT



DESCRIPTION: 2000 GALLON SW LUBE TANK

CUST: ATLANTIC CONTAINMENT
MATL: CARBON STEEL, 10 GA
WELD: MIG (EXTERNAL ONLY)
TYPE: UL 142 LISTED
CAPACITY: 2000 GALLONS
WEIGHT: 2045 LBS
EXT. FINISH: PRIMER

DATE:	DWG BY:
07/01/19	NM
DWG NO.	REV. NO.
AC2KSL	-