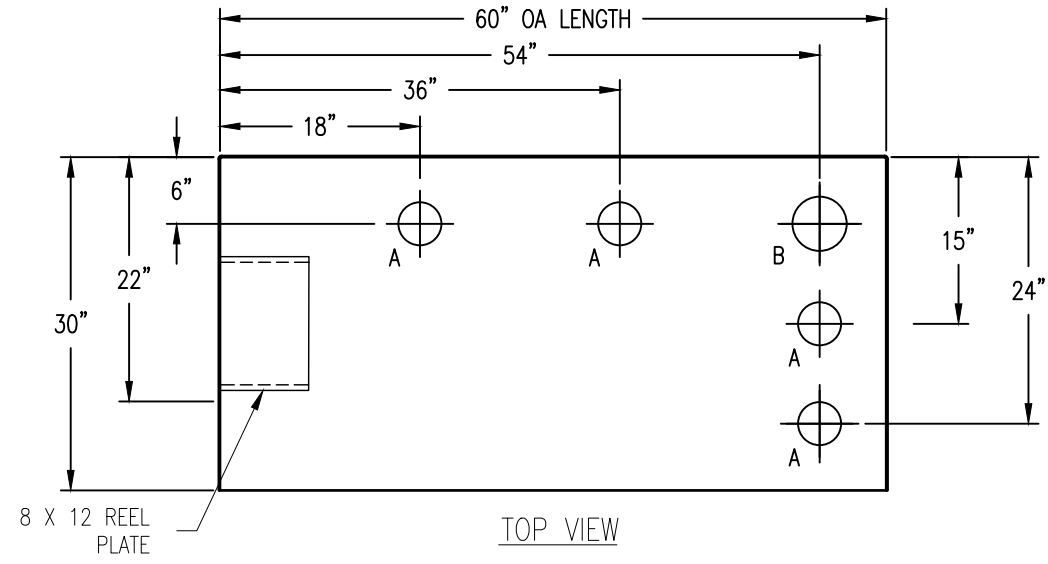
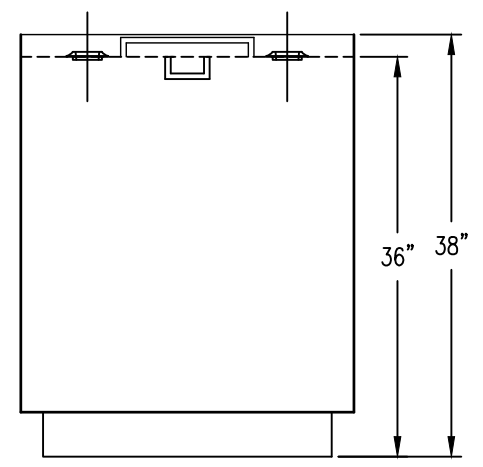


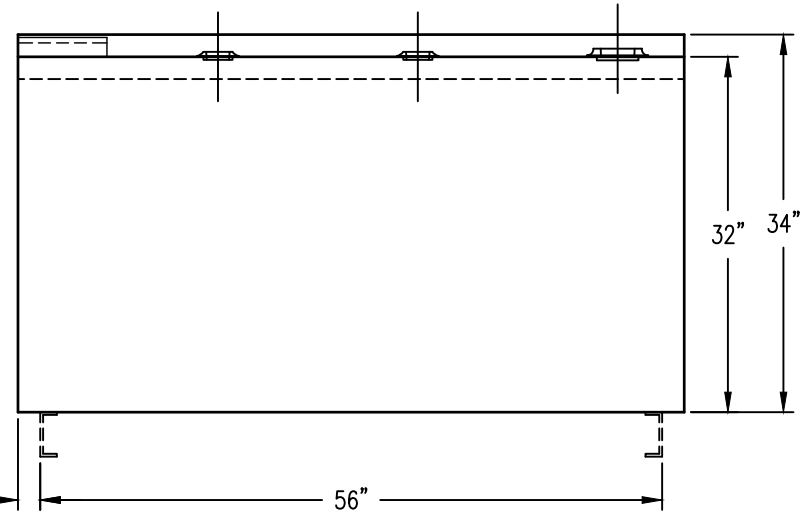
DRAWING REVISIONS			
REV.	DESCRIPTION	DATE	APRVL



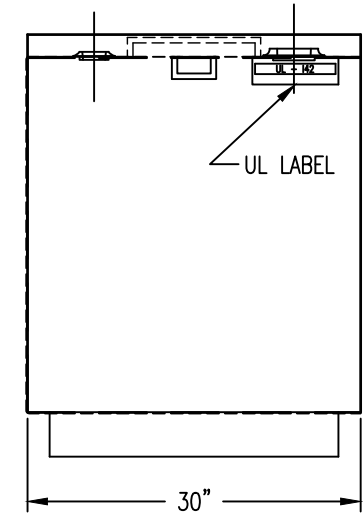
**DRAWING APPROVAL:**  
SIGN: \_\_\_\_\_  
DATE: \_\_\_\_\_



LEFT VIEW



FRONT VIEW



RIGHT VIEW

FLANGE OPENING LEGEND	
A	2" NPT FLANGE
B	3" INNER E-VENT
C	-
D	-
E	-
F	-



ALL RIGHTS RESERVED. THIS DRAWING OR ANY PART THEREOF MUST NOT BE REPRODUCED IN ANY FORM UNLESS GIVEN PERMISSION BY A REPRESENTATIVE OF THIS COMPANY

806 Island Ford Road  
McGaheysville, VA 22840  
Phone 800-522-4980  
540-289-5051  
FAX 540-289-7592



**ATLANTIC**  
**CONTAINMENT**



DESCRIPTION: 250 GALLON SW BENCH TANK

CUST: ATLANTIC CONTAINMENT	DATE: 07/08/19	DWG BY: NM
MATL: CARBON STEEL, 12 GA		
WELD: MIG (EXTERNAL ONLY)		
TYPE: UL 142 LISTED	DWG NO. AC250SW	REV. NO. -
CAPACITY: 250 GALLONS		
WEIGHT: 345LBS		
EXT. FINISH: PRIMER		

PRELIMINARY DRAWING ONLY