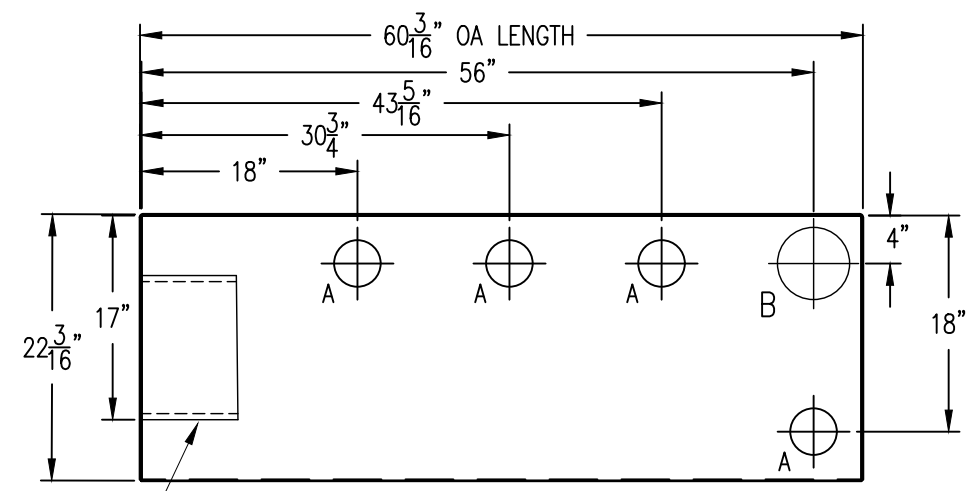
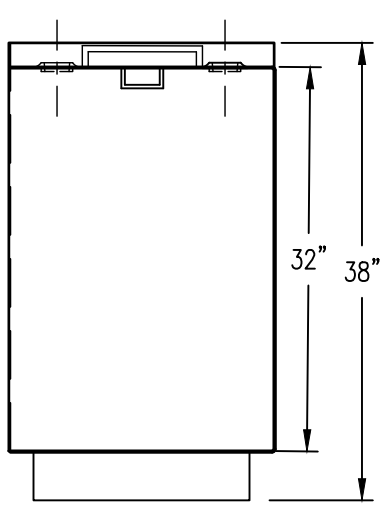


DRAWING REVISIONS			
REV.	DESCRIPTION	DATE	APRVL

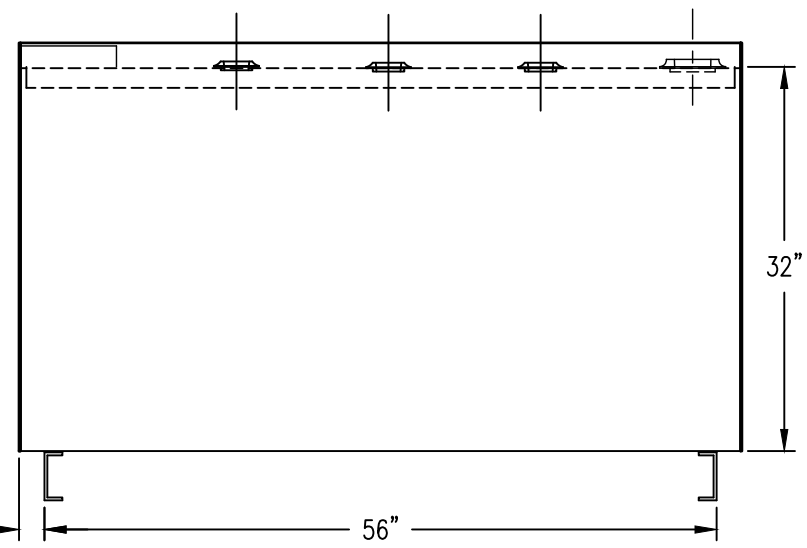


8 X 12 REEL
PLATE

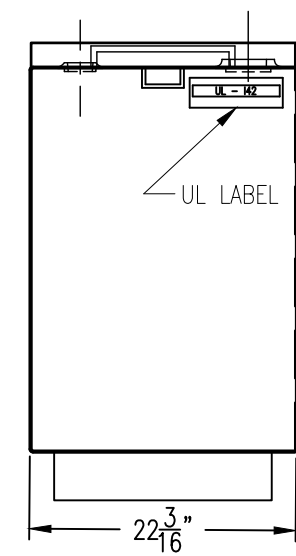
TOP VIEW



LEFT VIEW



FRONT VIEW



RIGHT VIEW

DRAWING APPROVAL:

SIGN: _____

DATE: _____

FLANGE OPENING LEGEND	
A	2" NPT FLANGE
B	3" INNER E-VENT
C	-
D	-
E	-
F	-



ALL RIGHTS RESERVED. THIS DRAWING OR ANY PART THEREOF MUST NOT BE REPRODUCED IN ANY FORM UNLESS GIVEN PERMISSION BY A REPRESENTATIVE OF THIS COMPANY

806 Island Ford Road
McGaheysville, VA 22840
Phone 800-522-4980
540-289-5051
FAX 540-289-7592



ATLANTIC
CONTAINMENT



DESCRIPTION: 180 GALLON SW BENCH TANK

CUST: ATLANTIC CONTAINMENT
MATL: CARBON STEEL, 12 GA
WELD: MIG (EXTERNAL ONLY)
TYPE: UL 142 LISTED
CAPACITY: 180 GALLONS
WEIGHT: 290LBS
EXT. FINISH: PRIMER

DATE:	DWG BY:
07/08/19	NM
DWG NO.	REV. NO.
AC180SW	-

PRELIMINARY DRAWING ONLY