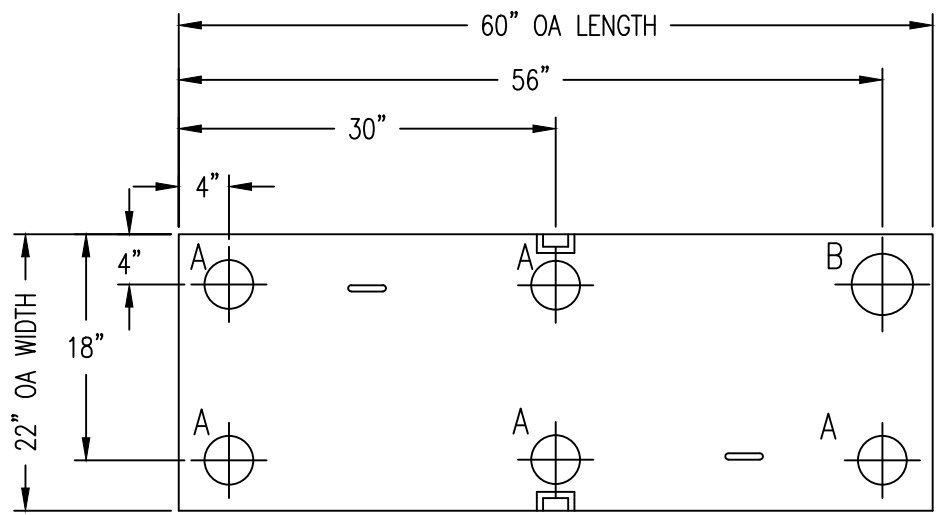
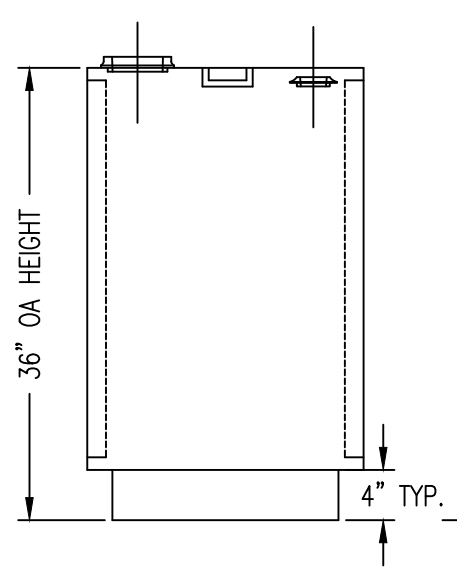


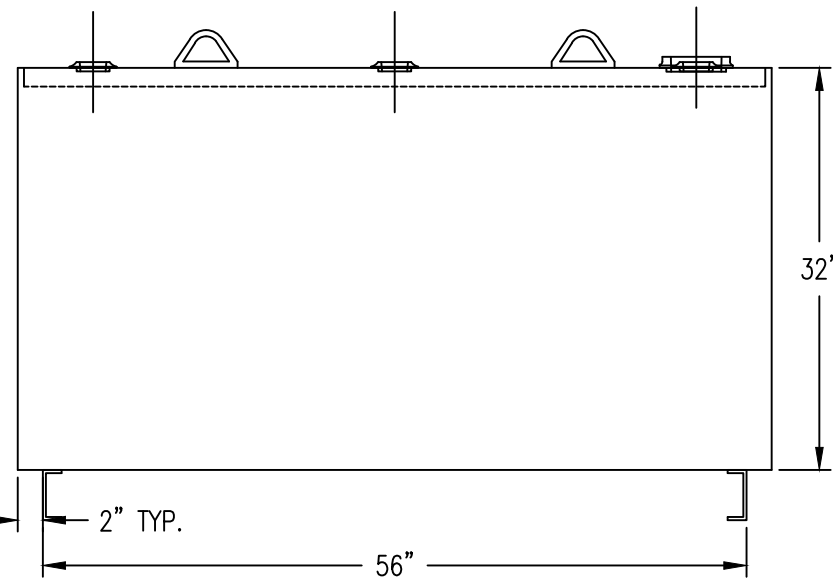
REV.	DESCRIPTION	DATE	APRVL



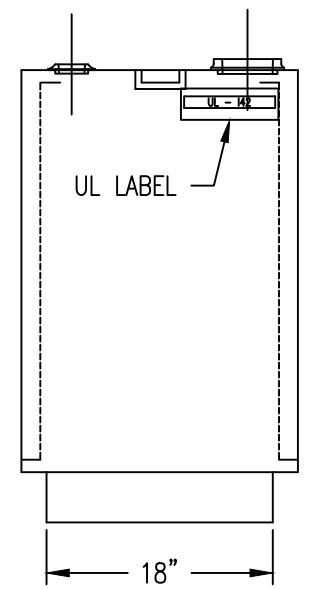
TOP VIEW



LEFT VIEW



FRONT VIEW



RIGHT VIEW

PRELIMINARY DRAWING ONLY

DRAWING APPROVAL:
SIGN: _____
DATE: _____

FLANGE OPENING LEGEND	
A	2" NPT FLANGE
B	3" INNER E-VENT
C	-
D	-
E	-
F	-



ALL RIGHTS RESERVED, THIS DRAWING OR ANY PART THEREOF MUST NOT BE REPRODUCED IN ANY FORM UNLESS GIVEN PERMISSION BY A REPRESENTATIVE OF THIS COMPANY

806 Island Ford Road
McGaheysville, VA 22840

Phone 800-522-4980
540-289-5051
FAX 540-289-7592

ATLANTIC

CONTAINMENT

DESCRIPTION: 180 GALLON SW LUBE TANK

CUST: ATLANTIC CONTAINMENT	DATE: 06/28/19	DWG BY: NM
MATL: CARBON STEEL, 12 GA		
WELD: MIG (EXTERNAL ONLY)		
TYPE: UL 142 LISTED		
CAPACITY: 180 GALLONS		
WEIGHT: 248 LBS		
EXT. FINISH: PRIMER		
	DWG NO. AC180SL	REV. NO. -