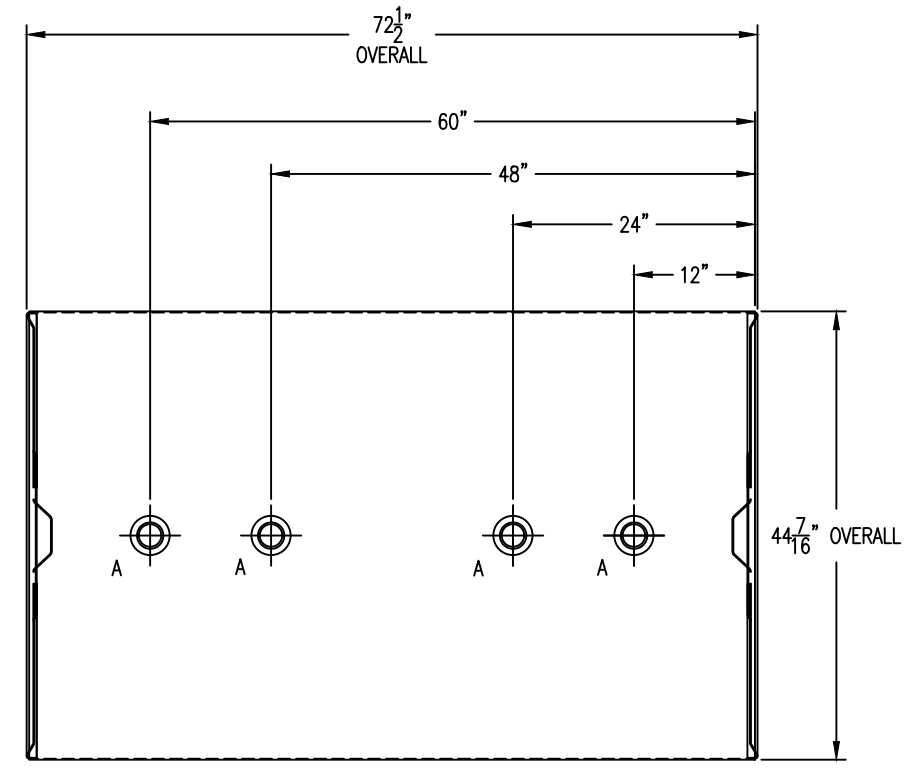
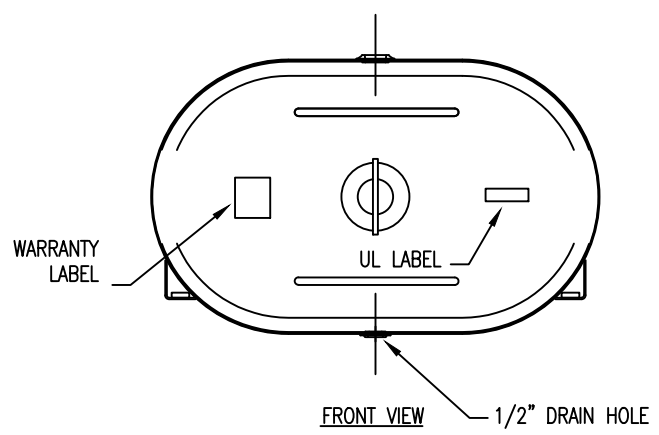


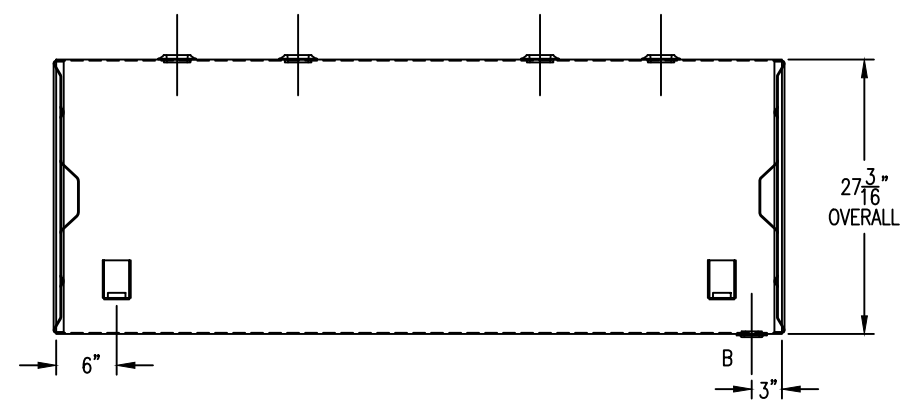
DRAWING REVISIONS			
REV.	DESCRIPTION	DATE	APRVL



TOP VIEW



FRONT VIEW



SIDE VIEW

PRELIMINARY DRAWING ONLY

DRAWING APPROVAL:
SIGN: _____
DATE: _____

FLANGE OPENING LEGEND	
A	2" NPT FLANGE
B	1/2" NPT FLANGE
C	-
D	-
E	-
F	-



ALL RIGHTS RESERVED, THIS DRAWING OR ANY PART THEREOF MUST NOT BE REPRODUCED IN ANY FORM UNLESS GIVEN PERMISSION BY A REPRESENTATIVE OF THIS COMPANY

806 Island Ford Road
McGaheysville, VA 22840
Phone 800-522-4980
540-289-5051
FAX 540-289-7592



ATLANTIC
CONTAINMENT



DESCRIPTION: 330 Round Horiz. Lug Style UL80

CUST: ATLANTIC CONTAINMENT
MATL: CARBON STEEL, 12 GA
WELD: MIG (EXTERNAL ONLY)
TYPE: UL80 LISTED
CAPACITY: 330 GALLON
WEIGHT: 330 LBS
EXT. FINISH: BLACK GLOSS

DATE: 03/14/17	DWG BY: NM
DWG NO. AC330HHO	REV. NO. -